

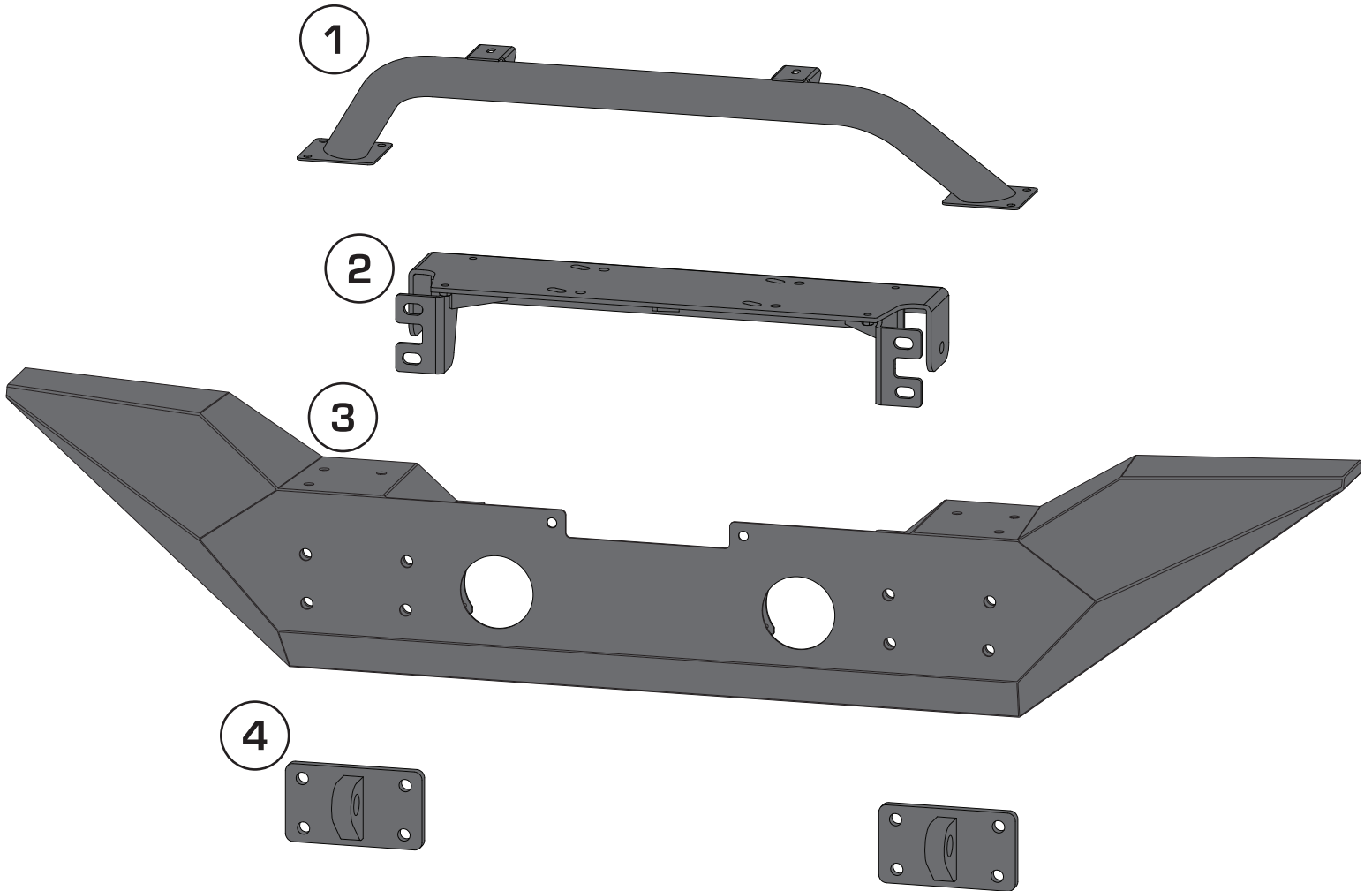


OMIX-ADA, Inc.

Part #11548.41

460 HORIZON DR. SUITE 400 | SUWANEE, GA 30024 | PHONE: 770-614-6101 | FAX: 844-270-0593 | www.Omix-ADA.com

Spartan Front Bumper - High Clearance Ends, JL/JLU & Gladiator



Components

1. Spartan Override
 2. Winch Plate

(1) 3. Spartan Front Bumper
 (1) 4. D-Shackle Tab

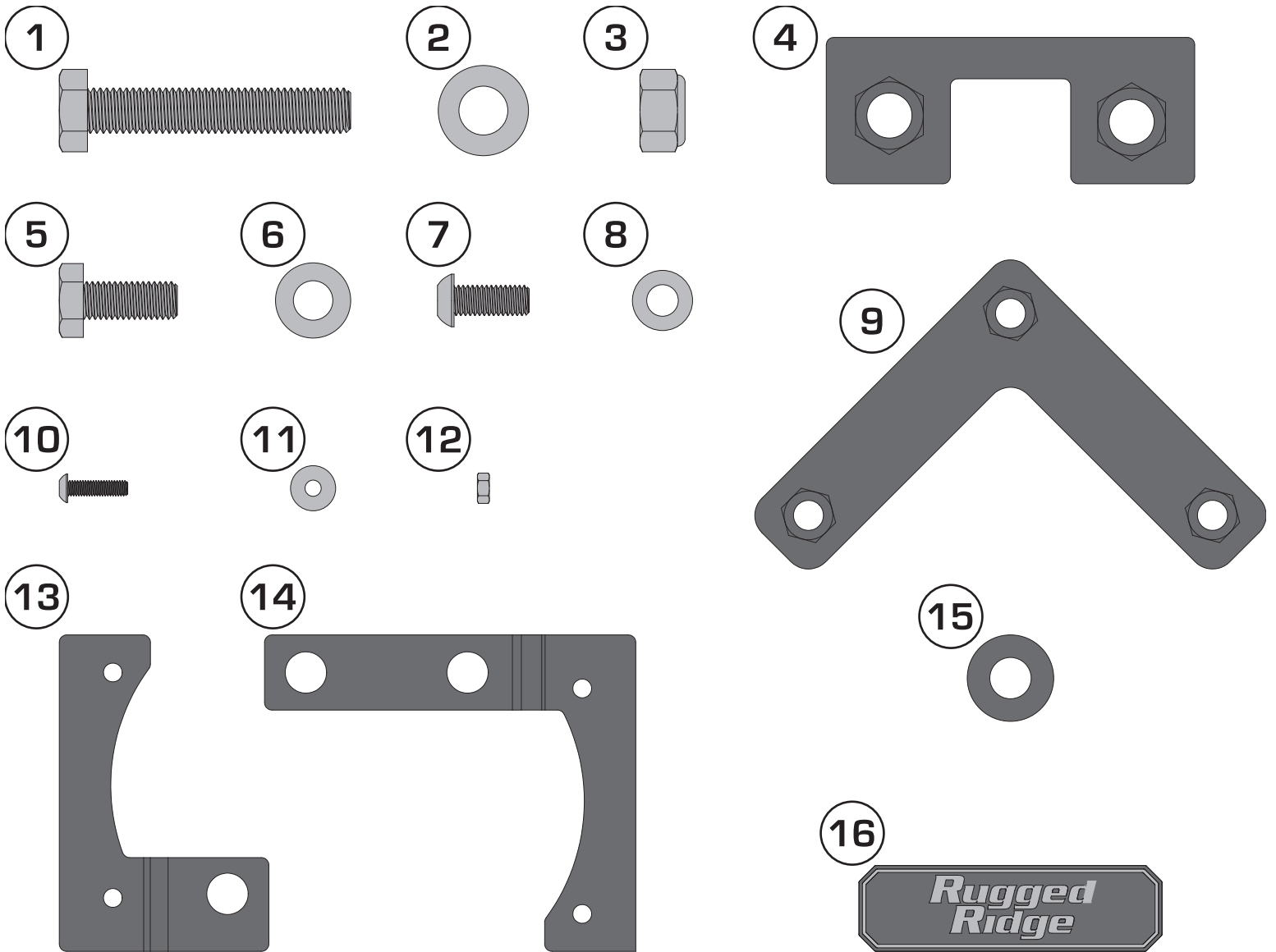
(1)
 (2)

OMIX-ADA® TECHNICAL SUPPORT

PHONE: M-F 8am - 5pm EST 1-800-449-6649

FOR WARRANTY OR TECH CONCERNS EMAIL: webmaster@omixsupport.com

Spartan Front Bumper - High Clearance Ends, JL/JLU & Gladiator



Components

- | | | | |
|------------------|------|--------------------------------|------|
| 1. M12 Bolt | (8) | 9. M8 Nut Plate | (2) |
| 2. M12 Washer | (12) | 10. M4 Bolt | (8) |
| 3. M12 Lock Nut | (4) | 11. M4 Washer | (16) |
| 4. M12 Nut Plate | (2) | 12. M4 Nut | (8) |
| 5. M10 Bolt | (2) | 13. Fog Light Adapter - Left | (2) |
| 6. M10 Washer | (2) | 14. Fog Light Adapter - Right | (2) |
| 7. M8 Bolt | (10) | 15. Fog Light Adapter - Washer | (6) |
| 8. M8 Washer | (10) | 16. Badge Logo | (1) |



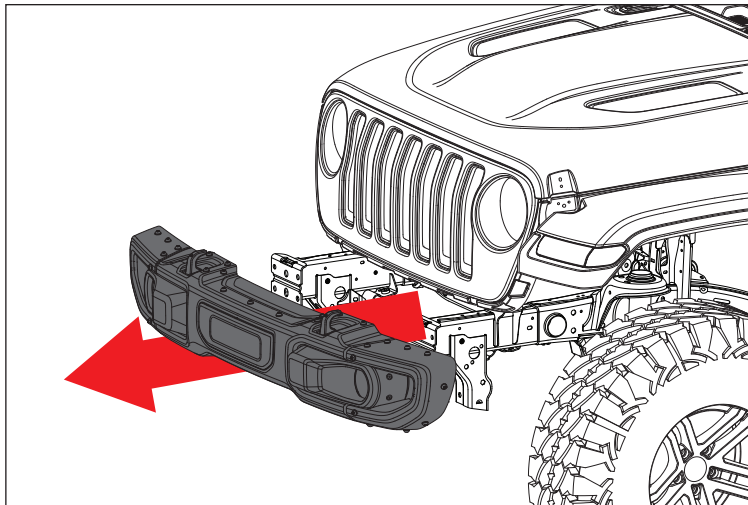
OMIX-ADA, Inc.

Part #11548.41

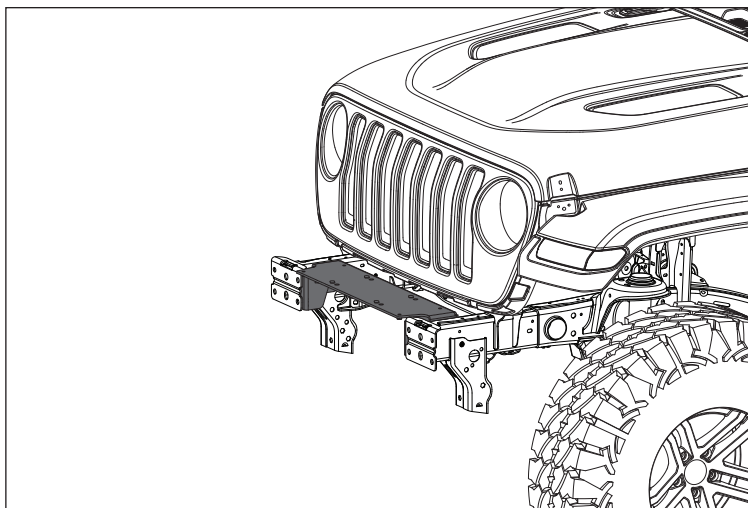
460 HORIZON DR. SUITE 400 | SUWANEE, GA 30024 | PHONE: 770-614-6101 | FAX: 844-270-0593 | www.Omix-ADA.com

Spartan Front Bumper - High Clearance Ends, JL/JLU & Gladiator

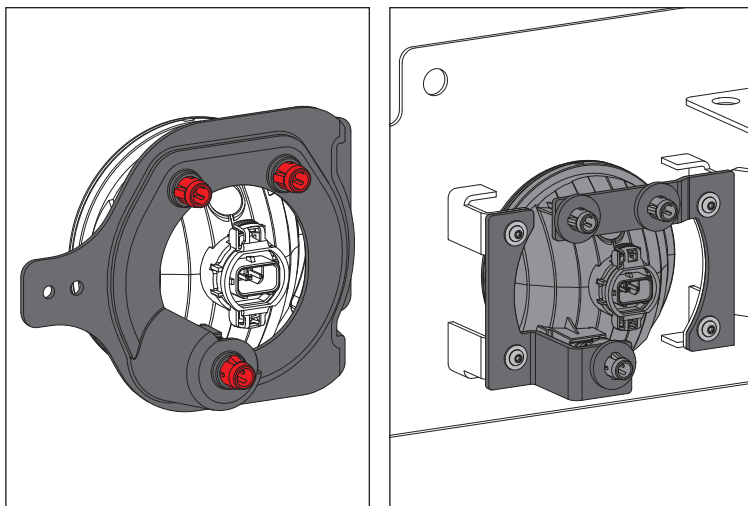
1. Remove OE front bumper and inner frame horn support brackets.



2. Loosely install Winch Plate to inside of frame using supplied M10 hardware.



3. If installing Sport model fog lights, remove black plastic mounting bracket from light by depressing tabs on light housing. Replace mounting bracket with supplied Fog Light Adapter components as shown.



4. Install fog lights using supplied M4 hardware.



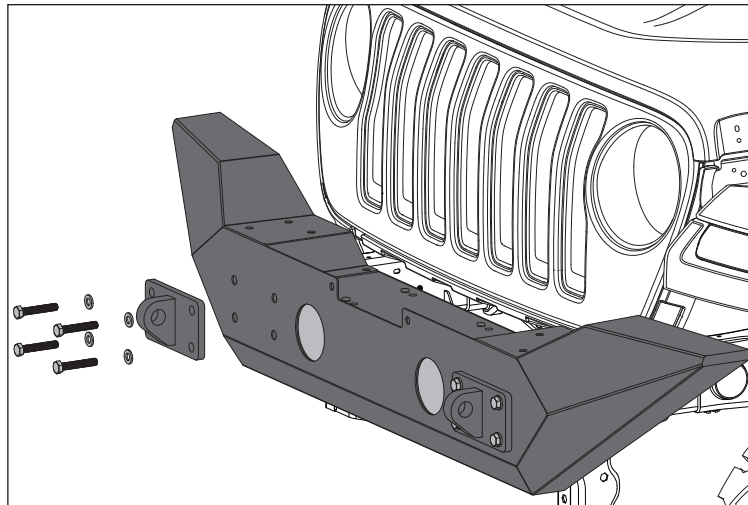
OMIX-ADA, Inc.

Part #11548.41

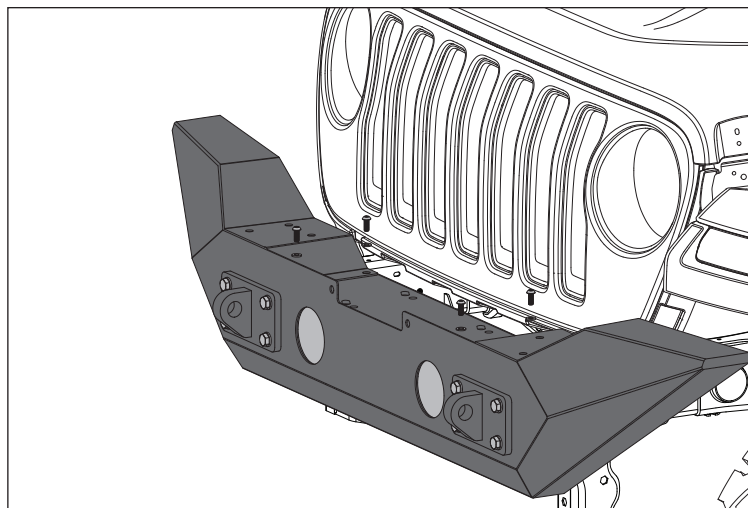
460 HORIZON DR. SUITE 400 | SUWANEE, GA 30024 | PHONE: 770-614-6101 | FAX: 844-270-0593 | www.Omix-ADA.com

Spartan Front Bumper - High Clearance Ends, JL/JLU & Gladiator

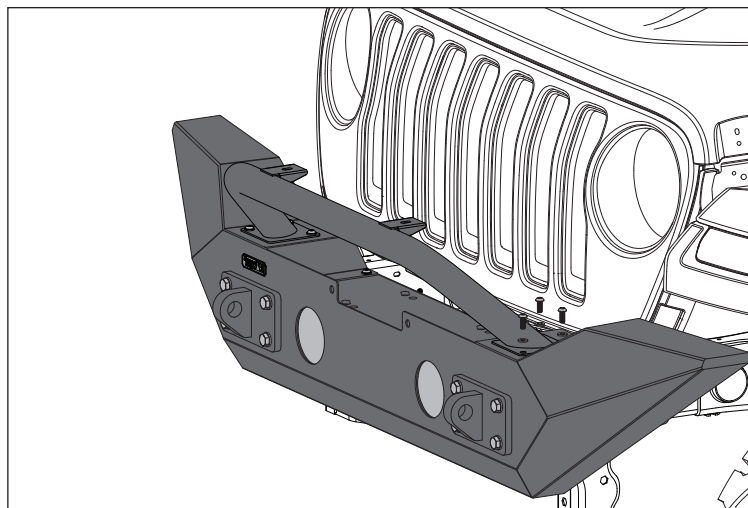
5. Loosely install Spartan Front Bumper and D-Shackle Tabs using supplied M12 hardware. M12 Nut Plates are designed to mount behind Winch Plate.



6. Fasten Spartan Front Bumper to Winch Plate using supplied M8 hardware. Tighten all fasteners and reconnect fog lights.



7. Install Spartan Override using supplied M8 hardware and nut plates.



8. If desired, apply Badge Logo above passenger side D-Shackle Tab.