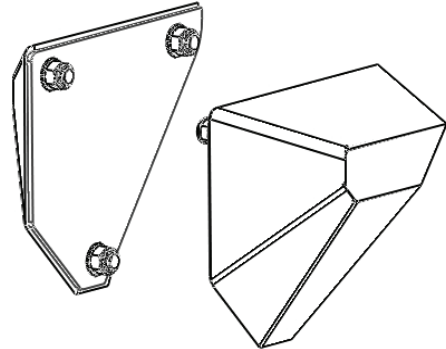


2007+ Jeep® JK Wrangler Modular XHD Front Stubby Ends

Contents:

1. Left Stubby End (1)
2. Right Stubby End (1)
3. Lock Nut (6)
4. Washers (6)



1. Stubby Ends are easier to install with the Center Section of Modular XHD Bumper off of the vehicle, but can be installed with the Center Section already installed. If Stubby Ends are replacing the previously installed Filler Plates (Figure 1a), remove them so that empty ends remain (Figure 1b).

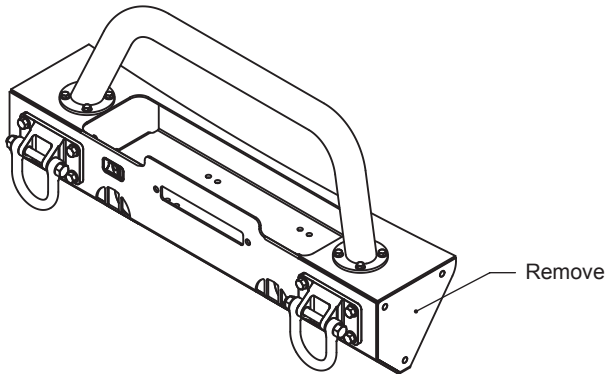


Figure 1a

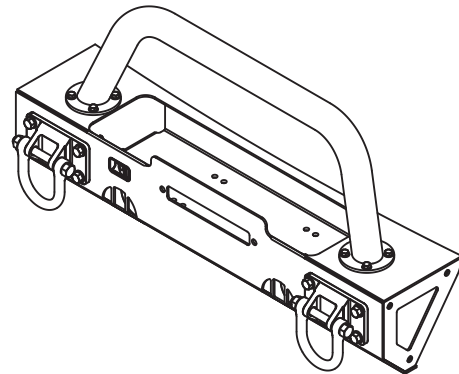
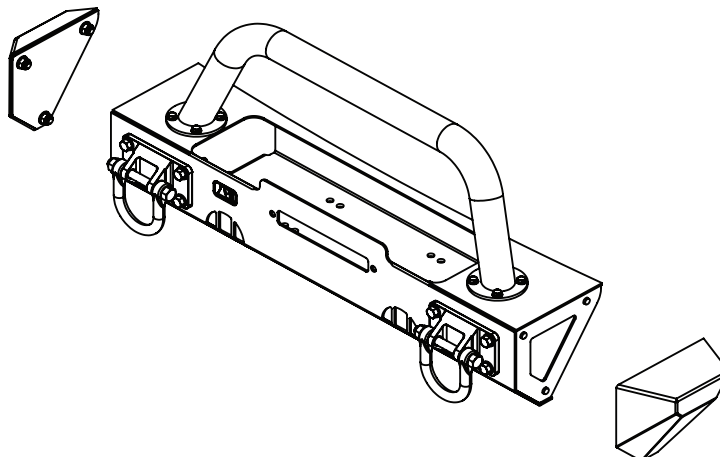
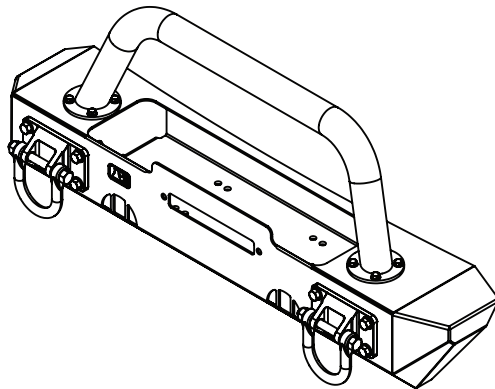


Figure 1b

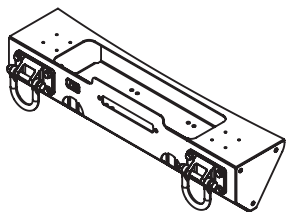
2. Position Stubby Ends to the ends of the Center Section, aligning the studs in the Stubby Ends with the holes in the sides of the Center Section. Insert the studs of the Stubby End into the holes in the Center Section and secure them with the supplied washers and locking nuts.



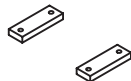
3. Once all 6 nuts have been started, tighten them. Installation is now complete!



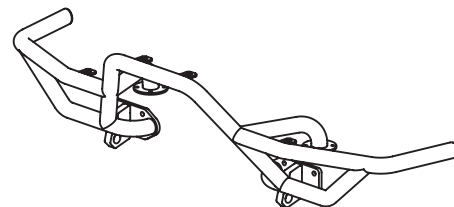
Congratulations on the purchase and installation of a quality Rugged Ridge product! Ask your retailer about the following additional accessories to the JK Modular XHD Bumper:



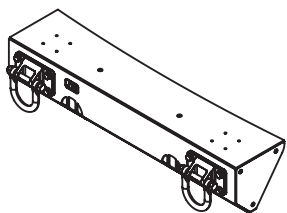
11540.10 - Winch Center Section



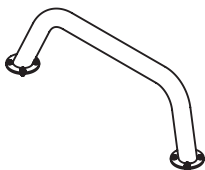
11540.15 - Optional Spacers for use with Warn® Powerplant Winch



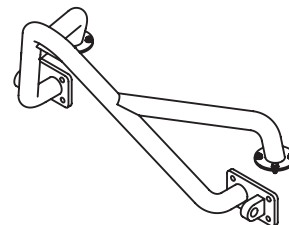
11540.17 - Optional RRC Hoop



11540.11 - Non-winch Center Section



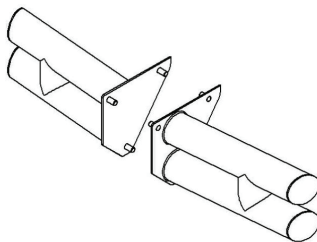
11540.14 - Optional Hoop - Black
11540.16 - Optional Hoop - Stainless



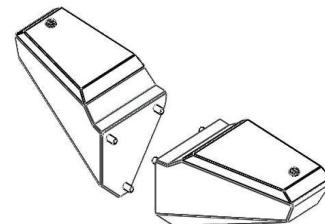
11540.13 - Optional Stinger



11540.17 - Optional Stainless D-Rings



11540.21 - Optional Tube Ends



11540.23 - Optional Storage Ends

