

Jeep JK Trail Armor

Set Part #14010

Rev-2 02-23-11

STEP 1 - PRIOR TO INSTALLATION

- A)** Bushwacker only approves installing the trail armor according to these written instructions with the hardware provided. **WARNING:** Failure to install according to these instructions will invalidate the warranty. This includes, but is not limited to using alternative installation methods, hardware, or materials. **DO NOT USE:** Loctite, SuperGlue, or similar products on the hardware or the trail armor.
- B) Fit:** Verify the fit of the trail armor to vehicle. (Some filing, sanding, or cutting may be necessary to ensure proper fit).
- C) Painting:** (Optional) if paint is desired it must be done prior to installing trail armor on the vehicle. Clean outer surface with a good grade degreaser. **DO NOT USE LACQUER THINNER OR ENAMEL REDUCER AS A DEGREASER.** Wipe outer surface thoroughly with a tack rag prior to paint. Application of plastic adhesion promoter for TPO plastic as per your paint system manufacturer's recommendations is required. Paint trail armor using a high quality enamel, or polyurethane automotive paint.
- D) Exhaust System:** Modifications may be necessary to maintain a minimum 4" clearance between trail armor and exhaust pipes. (Exhaust gases should not vent directly onto trail armor)
- E) Metal Protection:** All exposed fasteners and bare metal should be treated with rust resistant paint **BEFORE** installing trail armor.
- F) Decals:** Trail Armor may interfere with existing decals on vehicle. If you wish, remove decals prior to installation of trail armor.

Rear Corners 4-Door

TOOLS FOR EASY INSTALLATION:

- #2 Phillips Drive Bit
- T-40 Torx Bit
- 3/8" Ratchet
- 1/4" Ratchet
- 7mm Socket
- 1/4" Extension
- Marker
- Partner/Helper
- Cleaning Cloth
- Small Screwdriver or Equivalent (Step 4)

LIMITED LIFETIME WARRANTY AGAINST ANY MANUFACTURING DEFECTS

- To claim a warranty, you must provide Proof of Purchase.

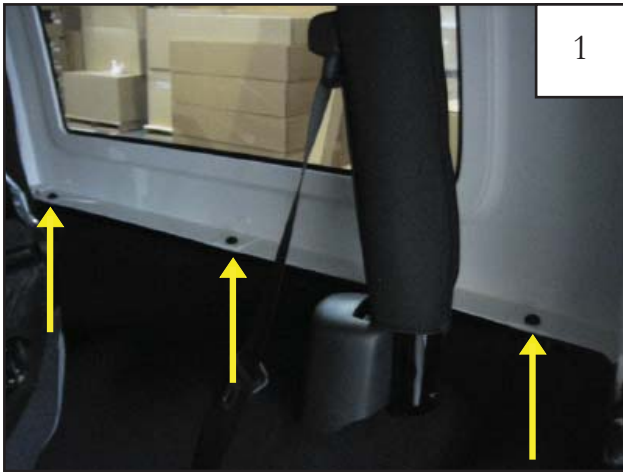
Included in Hardware Kit

1.



Alcohol Wipe,
2 pcs

Removing Hard Top



Using a T-40 Torx bit and a 3/8" ratchet remove six bolts fastening hard top to vehicle (3 bolts per side) and save bolts for reinstallation. With a partner, remove hard top from vehicle.

Vehicle Preparation Procedures (Driver Side)



Remove license plate, then using a 7mm socket with a 1/4" ratchet and 1/4" extension, remove two bolts from the bottom of the license plate frame.



Using a 7mm socket with a 1/4" ratchet and 1/4" extension, remove two bolts from the face side of the license plate frame.



Pull license plate frame away from vehicle and disconnect the frame by using a small screw driver or similar tool inserted in the hole and pressing down on the connector to pop it out.



Using a #2 Phillips screwdriver, remove two screws closest to the inside of the vehicle.



6

Slide light toward the inside of the vehicle then pull out to remove the tail light.

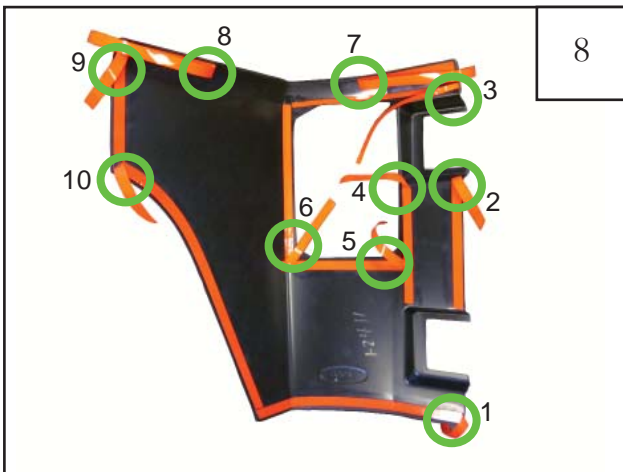


7

Disconnect the light by pressing down on the connector. Repeat steps 5-7 for passenger side tail light.

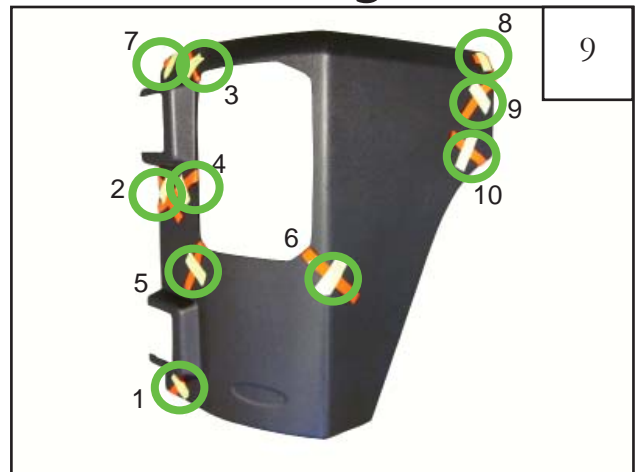
Clean all dirt and debris from vehicle then use supplied alcohol wipe where part will be. *NOTE: Temperature should be at least 60°F for proper tape adhesion.*

Rear Corners Installation Procedures (Passenger Side)



8

Using a marker, label the tape tabs with the numbers 1-10 as shown.



9

Using masking tape, tape each tab on the outside of the part as shown.



10

Slide covers off door hinges.



11

Position part on vehicle and using a #2 Phillips screwdriver, loosely start screws in the two locations they were removed from in the tail light.



Make any necessary adjustments to the part to ensure it aligns properly around the tail light.



Pull tape liner 1 to the right toward the passenger side of the vehicle. *NOTE: Refer to steps 8 & 9 for tape liner tab numbering.*



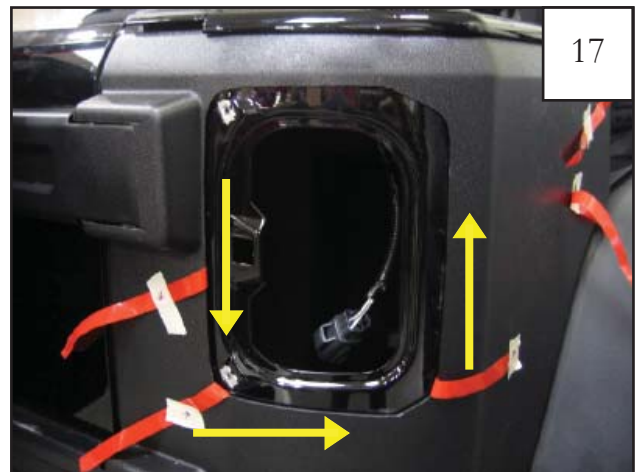
Press down firmly around the entire lower line of the part where the tape was removed.



Pull tape liner 2 downward. *NOTE: Refer to steps 8 & 9 for tape liner tab numbering.* Using a #2 Phillips screwdriver, remove the light again.



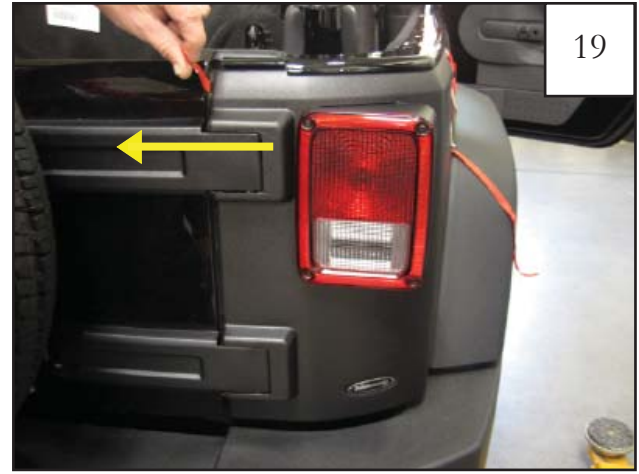
Pull tape liner 3 to the right toward the passenger side of the vehicle. *NOTE: Refer to steps 8 & 9 for tape liner tab numbering.*



Tape liners 4, 5, & 6 may be removed in any order. Pull tape liner 4 downward. Pull tape liner 5 to the right. Pull tape liner 6 upward. *NOTE: Refer to steps 8 & 9 for tape liner tab numbering.*



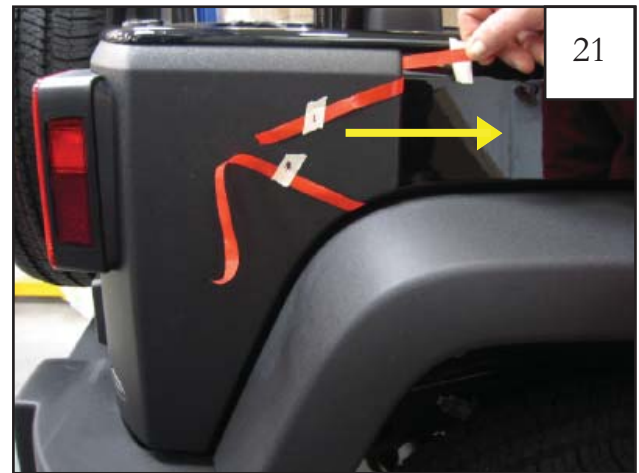
Plug the light connector back into the tail light and reinstall tail light using a #2 Phillips screwdriver.



Pull tape liner 7 to the left toward the driver side of the vehicle. *NOTE: Refer to steps 8 & 9 for tape liner tab numbering.*



Press down on the part along the length where tape strip 7 is.



Pull tape liner 8 to the right toward the front of the vehicle. *NOTE: Refer to steps 8 & 9 for tape liner tab numbering.*



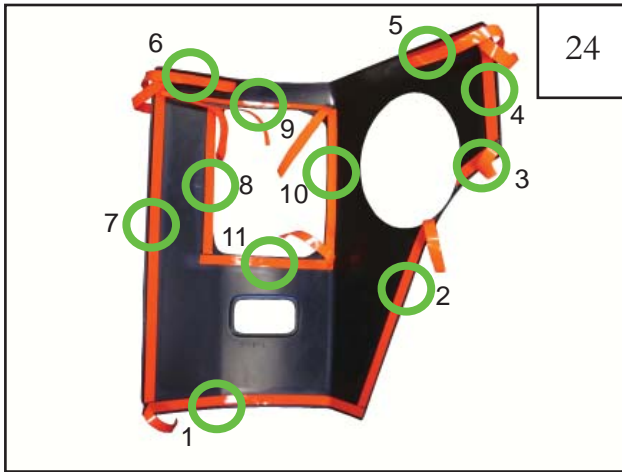
Pull tape liner 9 downward. *NOTE: Refer to steps 8 & 9 for tape liner tab numbering.*



Pull tape liner 10 downward on a slight diagonal matching the curvature of the part. *NOTE: Refer to steps 8 & 9 for tape liner tab numbering.*

Once all tape liners are peeled, press down on entire part again applying 30 PSI to the taped areas. *NOTE: The tape reaches maximum adhesive bond after 24 hours of contact. Do not wash vehicle for 24 hours.*

Rear Corners Installation Procedures (Driver Side)



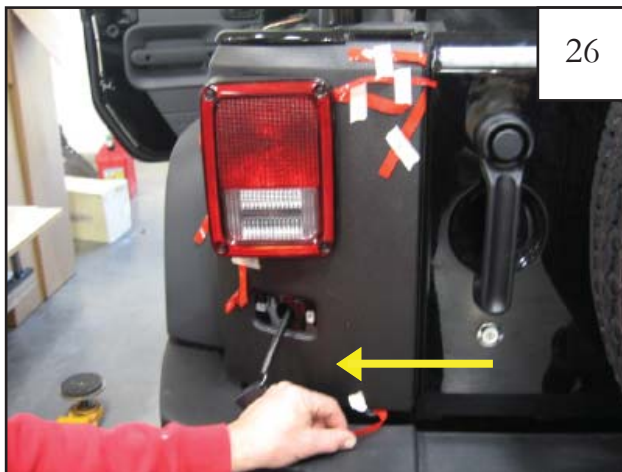
24

Using a marker, label the tape tabs with the numbers 1-11 as shown. Using masking tape, tape each tab on the outside of the part.



25

Position the part on the vehicle so it fits around the gas door. Then, using a #2 Phillips screw driver, reattach the tail light.



26

Pull tape liner 1 to the left toward the driver side of the vehicle. *NOTE: Refer to step 24 for tape liner tab numbering.*



27

Pull tape liner 2 downward on a slight diagonal matching the curvature of the part. *NOTE: Refer to step 24 for tape liner tab numbering.*



28

Pull tape liner 3 downward on a slight diagonal matching the curvature of the part. *NOTE: Refer to step 24 for tape liner tab numbering.*



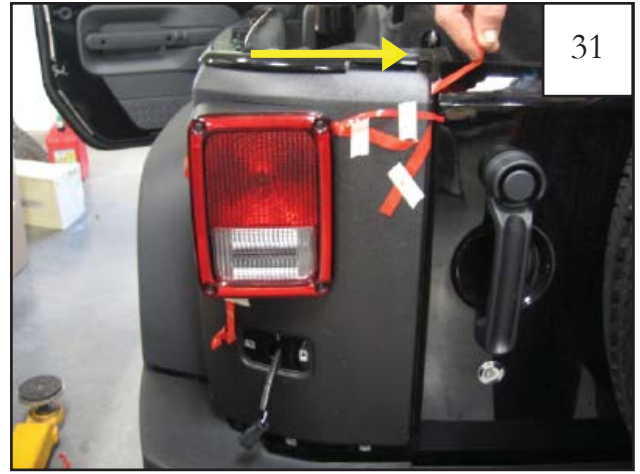
29

Pull tape liner 4 downward. *NOTE: Refer to step 24 for tape liner tab numbering.*



30

Pull tape liner 5 left toward the front of the vehicle. Press side of part firmly for proper tape adhesion. *NOTE: Refer to step 24 for tape liner tab numbering.*



31

Pull tape liner 6 to the right toward the passenger side of the vehicle. *NOTE: Refer to step 24 for tape liner tab numbering.*



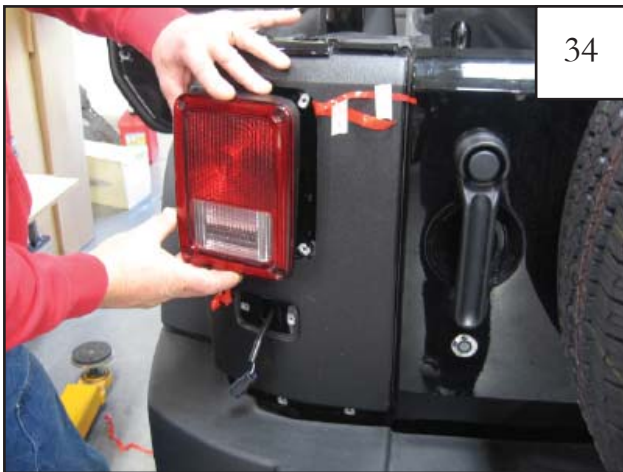
32

Pull tape liner 7 downward. *NOTE: Refer to step 24 for tape liner tab numbering.*



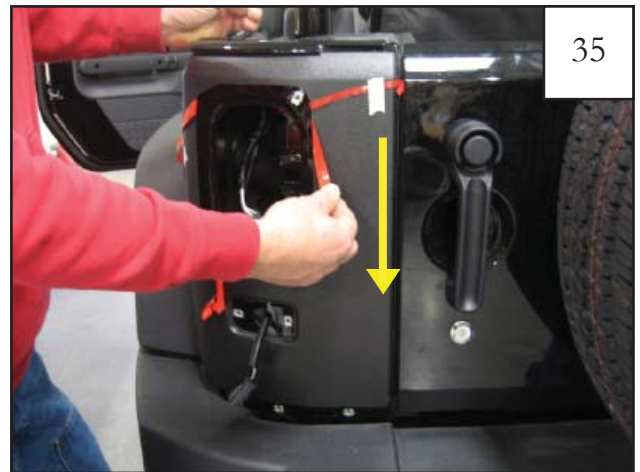
33

Press firmly on side of part where the two previous tape liners were removed.



34

Using a #2 Phillips screwdriver, remove the tail light.



35

Pull tape liner 8 downward. *NOTE: Refer to step 24 for tape liner tab numbering.*



Pull tape liner 9 for the 1/4" tape to the left toward the driver side of the vehicle. *NOTE: Refer to step 24 for tape liner tab numbering.*



Pull tape liner 10 downward. *NOTE: Refer to step 24 for tape liner tab numbering.*



Pull tape liner 11 to the right toward the passenger side of the vehicle. *NOTE: Refer to step 24 for tape liner tab numbering.*



Reconnect light connector of tail light.



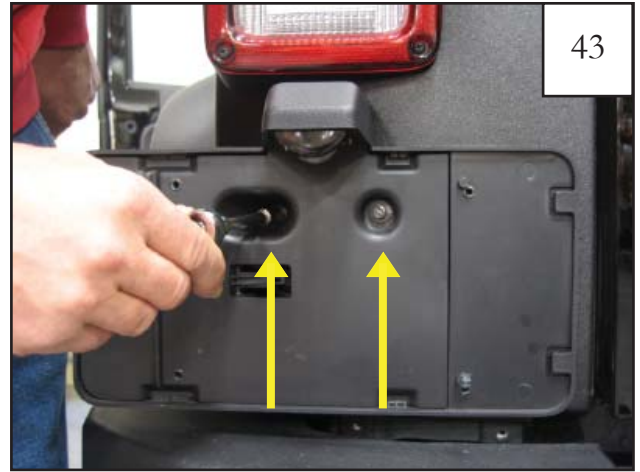
Using a #2 Phillips screwdriver, reinstall tail light.



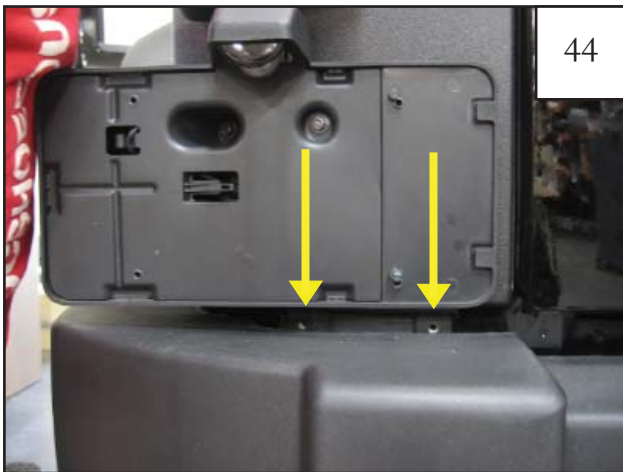
Once all tape liners are peeled, press down on entire again applying 30 PSI to the taped areas. Take special care in pressing down around the tail light. *NOTE: The tape reaches maximum adhesive bond after 24 hours of contact. Do not wash vehicle for 24 hours.*



Reconnect light of license plate frame.



Place license plate frame back on vehicle. Using a 7mm socket with a 1/4" ratchet and 1/4" extension, reinstall two factory screws.



Using a 7mm socket with a 1/4" ratchet and 1/4" extension, reinstall two factory screws at the bottom of the license plate frame.