

2360 Boswell Road
Chula Vista, CA 91914
Phone 619.216.1444
Fax 619.216.1474
E-Mail tech@explorerprocomp.com



PRO COMP SUSPENSION

Suspension Systems that Work!

**Part # 55590
'84-'01 4WD & 2WD
Jeep XJ Cherokee
3" Lift
Now Manufactured
With Chromolly
Arms**

This document contains very important information that includes warranty information and instructions for resolving problems you may encounter. Please keep it in the vehicle as a permanent record.

Box 1 of 1-PN 55590-1

Part #	Description	Qty.	Illus.	Page
90-2058	Front Lower Control Arm	2	3 & 4	5
90-6029	Brake line Hose Support Kit:			
13-20447	Hex, Self Tap 1/4" - 14 x 3/8"	4		
15-10966	Clamp, 3/8" x 3/8" x .203	4		
90-6039	Hardware Pack Containing:			
15-11252	Bushing - Red	8	3	5
90-2006	Sleeve .75 x .50 x 2.625	4	3	5
90-6036	Hardware Pack Containing:			
70-0432501500	7/16" x 2 1/2 USS Gr. 5 Hex Bolt	1	5	6
70-0371001800	3/8" x 1" USS Gr. 8 Hex Bolt	1	5	6
73-04300030	7/16" SAE Flat Washer	2	5	6
73-03700034	3/8" SAE Hardened Flat Washer	2	5	6
73-06200030	5/8" SAE Flat Washer	8	3	5
72-04300100512	7/16" USS Nyloc Nut	1	5	6
72-03700100816	3/8" USS Stover Nut	1	5	6
90-6038	Hardware Pack Containing:			
90-1106	Track Bar Drop Bracket (Front)	1	5	6
90-2052	Spacer, 7/8" x 1.25" Lg.	1	5	6

FOLLOWING PARTS ARE USED IN CONJUNCTION WITH THIS KIT. THEY ARE PACKAGED AND MUST BE ORDERED SEPARATELY.

50050 OR 50055	Rear U-Bolt Kit, see catalog for application	1		
55592	Coil Springs, Pair (Front Lift)	1 Pair	2	4
13120	Add-A-Leaf Kit (Rear Lift)	1 Pair	6	7
324515 OR 924515	Front Shock Absorbers	2	2	4
322500 OR 922500	Rear Shock Absorbers	2	2	4
55597	Front Sway Bar Link Kit	1		
219200	Steering Stabilizer	1		

Optional Equipment Available from your Pro Comp Distributor!

JTB400: ADJUSTABLE FRONT TRACK BAR

53111: REAR SPRINGS

55496: FRONT COIL SPACERS

Also, check out our outstanding selection of Pro Comp tires to compliment your new installation!

Introduction:

- ◆ **This installation requires a professional mechanic!**
- ◆ We recommend that you have access to a factory service manual for your vehicle to assist in the disassembly and reassembly of your vehicle. It contains a wealth of detailed information.
- ◆ Prior to installation, carefully inspect the vehicle's steering and driveline systems paying close attention to the tie rod ends, ball joints, wheel bearing preload, pitman and idler arm. Additionally, check steering-to-frame and suspension-to-frame attaching points for stress cracks. The overall vehicle must be in excellent working condition. Repair or replace all worn or damaged parts!
- ◆ Read the instructions carefully and study the illustrations before attempting installation! You may save yourself a lot of extra work.
- ◆ Check the parts and hardware against the parts list to assure that your kit is complete. Separating parts according to the areas where they will be used and placing the hardware with the brackets before you begin will save installation time.
- ◆ Check the special equipment list and ensure the availability of these tools.
- ◆ Secure and properly block vehicle prior to beginning installation.
- ◆ ***ALWAYS*** wear safety glasses when using power tools or working under the vehicle!
- ◆ Use caution when cutting is required under the vehicle. The factory undercoating is flammable. Take appropriate precautions. Have a fire extinguisher close at hand.
- ◆ Foot pound torque readings are listed on the Torque Specifications chart at the end of the instructions. These are to be used unless specifically directed otherwise. Apply thread lock retaining compound where specified.
- ◆ ***Please note that while every effort is made to ensure that the installation of your Pro Comp lift kit is a positive experience, variations in construction and assembly in the vehicle manufacturing process will virtually ensure that some parts may seem difficult to install. Additionally, the current trend in manufacturing of vehicles results in a frame that is highly flexible and may shift slightly on disassembly prior to installation. The use of pry bars and tapered punches for alignment is considered normal and usually does not indicate a faulty product. However, if you are uncertain about some aspect of the installation process, please feel free to call our tech support department at the number listed on the cover page. We do not recommend that you modify the Pro Comp parts in any way as this will void any warranty expressed or implied by the Pro Comp Suspension company.***

Please Note:

- Front end and head light realignment is necessary!
- Speedometer and ABS recalibration will be necessary if larger tires (10% more than stock diameter) are installed.
- Due to differences in manufacturing, dimensions and inflated measurements, tire and wheel combinations should be test fit prior to installation. Tire and wheel choice is crucial in assuring proper fit performance and the safety of your Pro Comp equipped vehicle. For this application a wheel not to exceed 7" in width with a maximum backspacing of 3.5 must be used. Diameter of wheel may be any of the following 2 choices, 15" or 16". Any other diameter, either smaller or larger, will not be endorsed as acceptable by Pro Comp Suspension and will void any and all warranties, written or implied. In addition, a quality tire of radial design, not to exceed 31" tall x 10.50" wide is recommended.

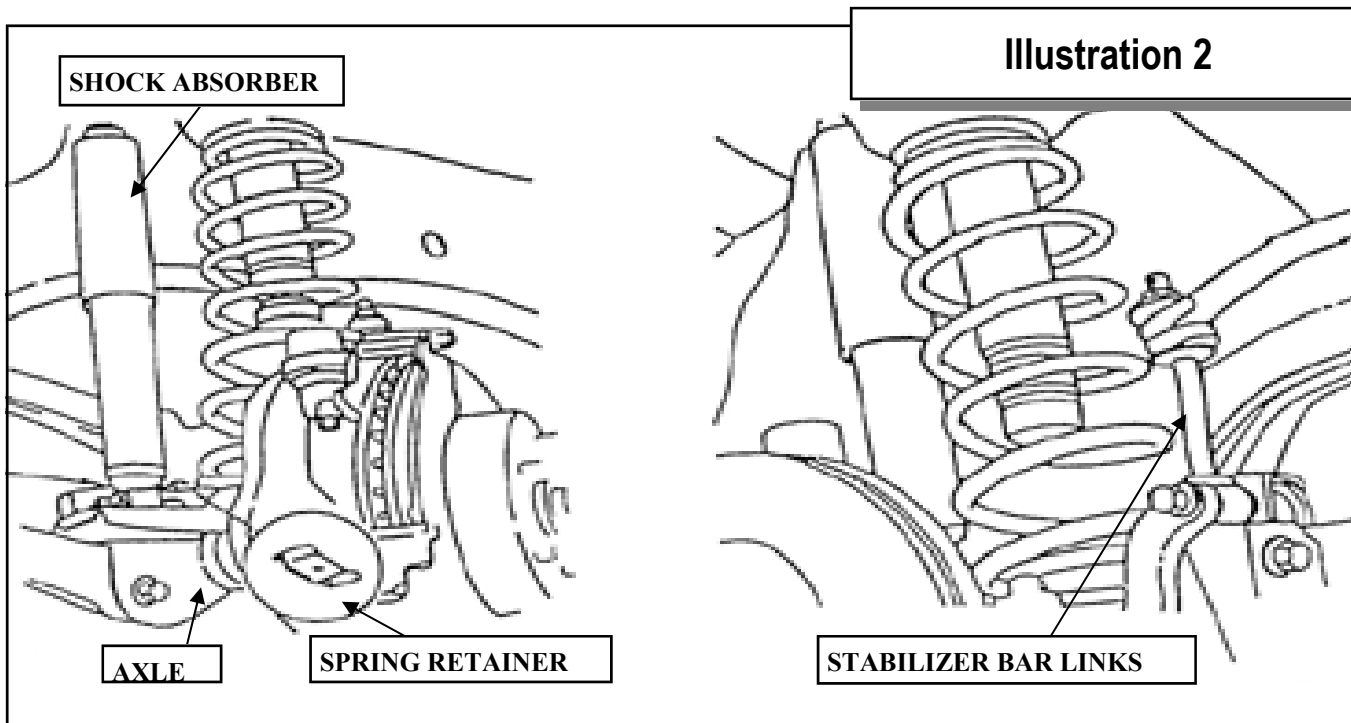
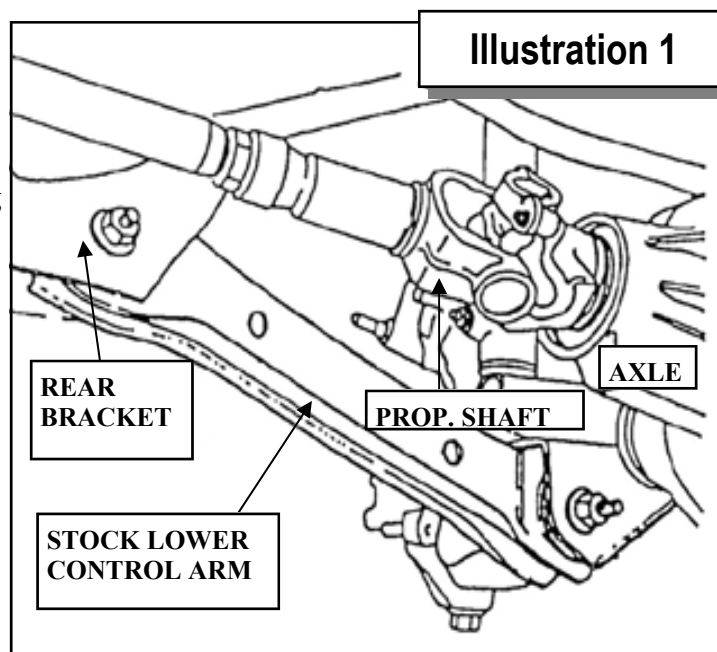
Front Installation

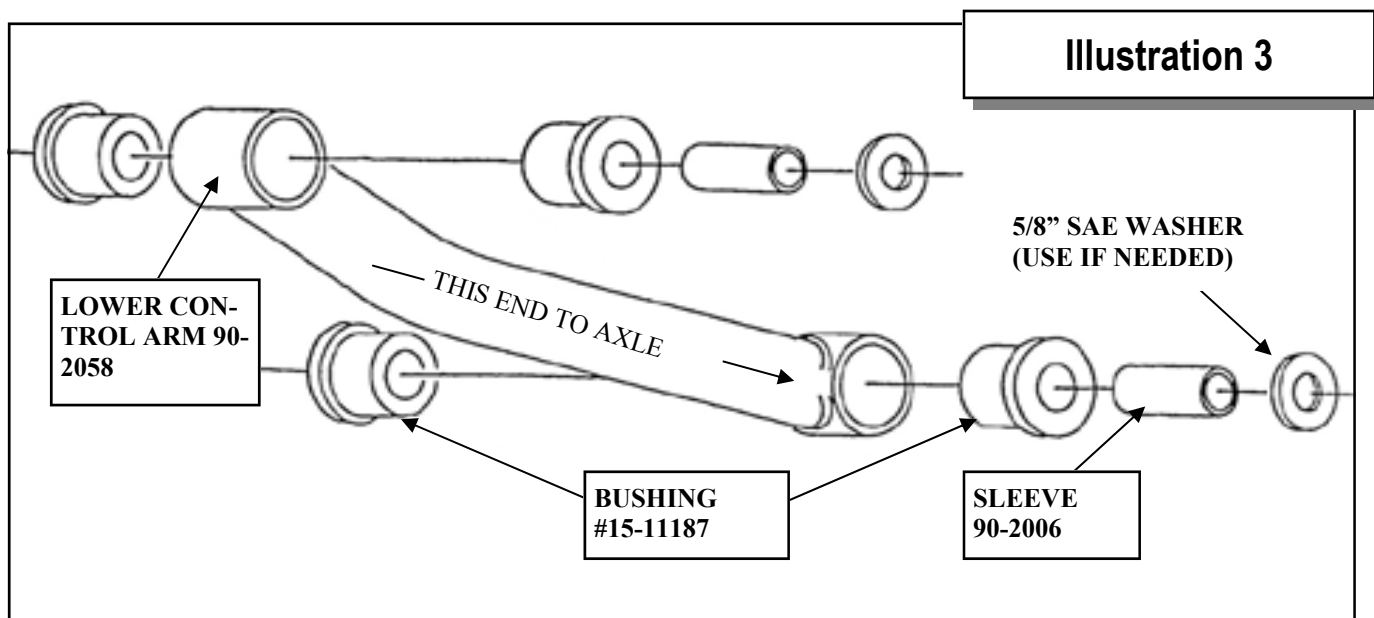
BEFORE YOU BEGIN:

- ⇒ Read the instructions and study the illustrations before attempting installation. Separating the parts according to the areas where they will be used and placing the hardware with the brackets before you begin will save installation time.
- ⇒ Check the parts and hardware against the parts list to assure that your kit is complete.
- ⇒ Always wear safety glasses when using power tools.

DISASSEMBLY:

- 1) Raise and suitably support the vehicle with jackstands. Support the axle with a floorjack. Remove the wheels and tires.
- 2) Mark and disconnect the front prop shaft at the axle as shown in ILLUSTRATION 1.
- 3) Disconnect the stock lower control arm at the axle and the rear bracket and remove. Refer to ILLUSTRATION 2.
- 4) Disconnect the stabilizer bar links and the shock absorbers at the axle as shown in ILLUSTRATION 2.



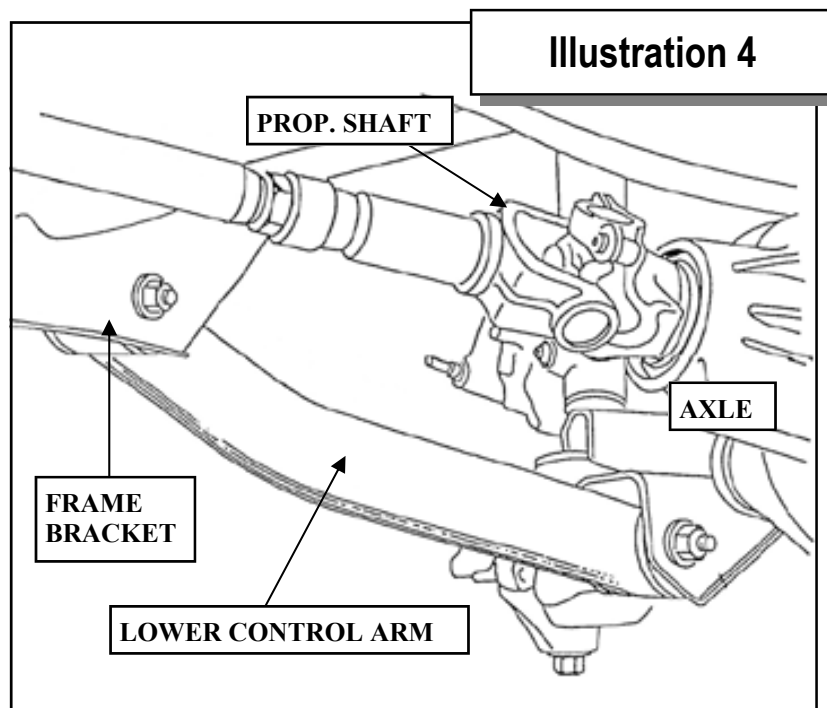


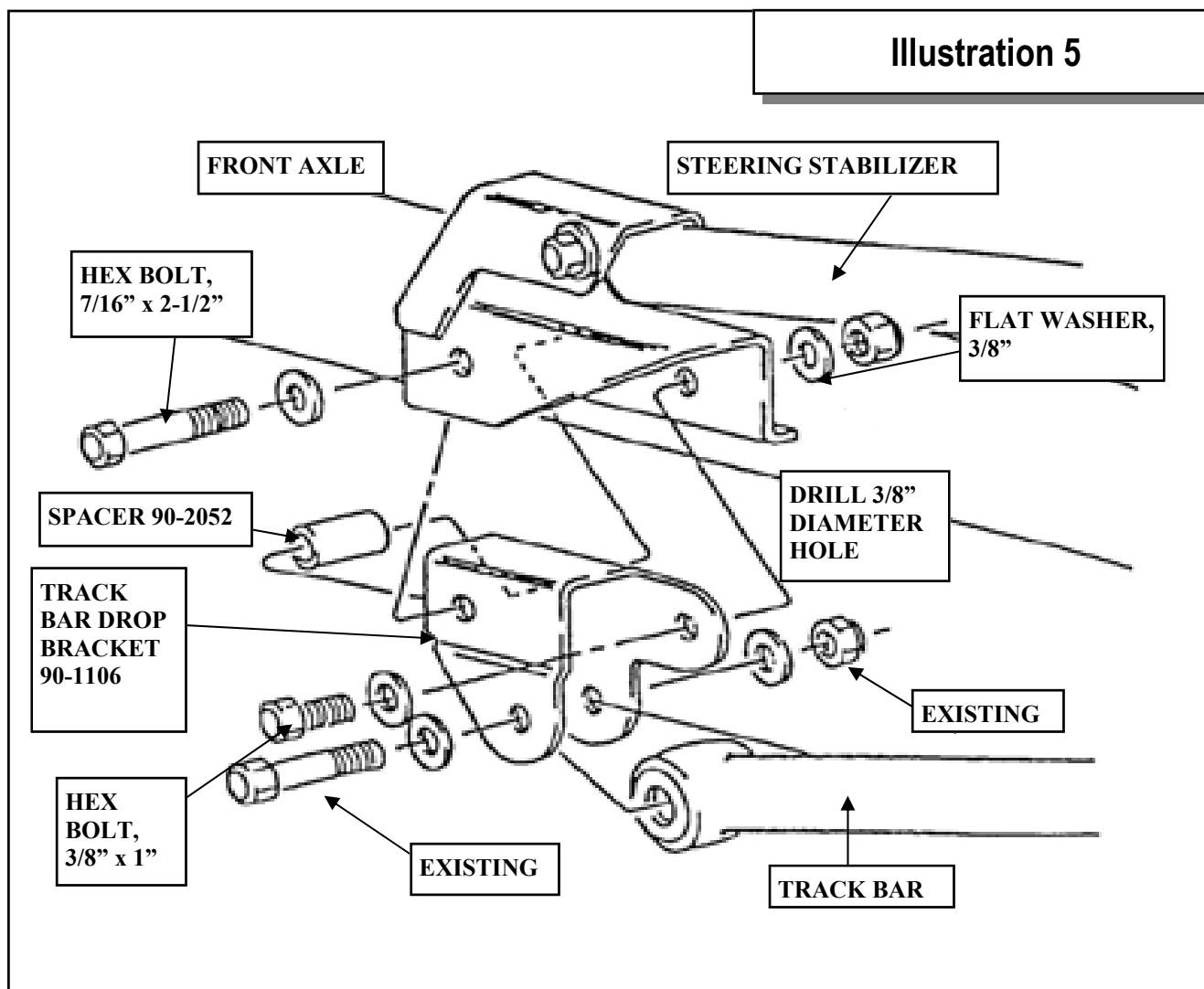
TION 2. Remove front shocks.

- 5) Disconnect the track bar at the axle bracket.
- 6) Disconnect the drag link at the pitman arm.
- 7) Lower the axle assembly, loosen the spring retainers and remove the front springs.

INSTALLATION:

- 1) Install the new front springs and tighten the retainers.

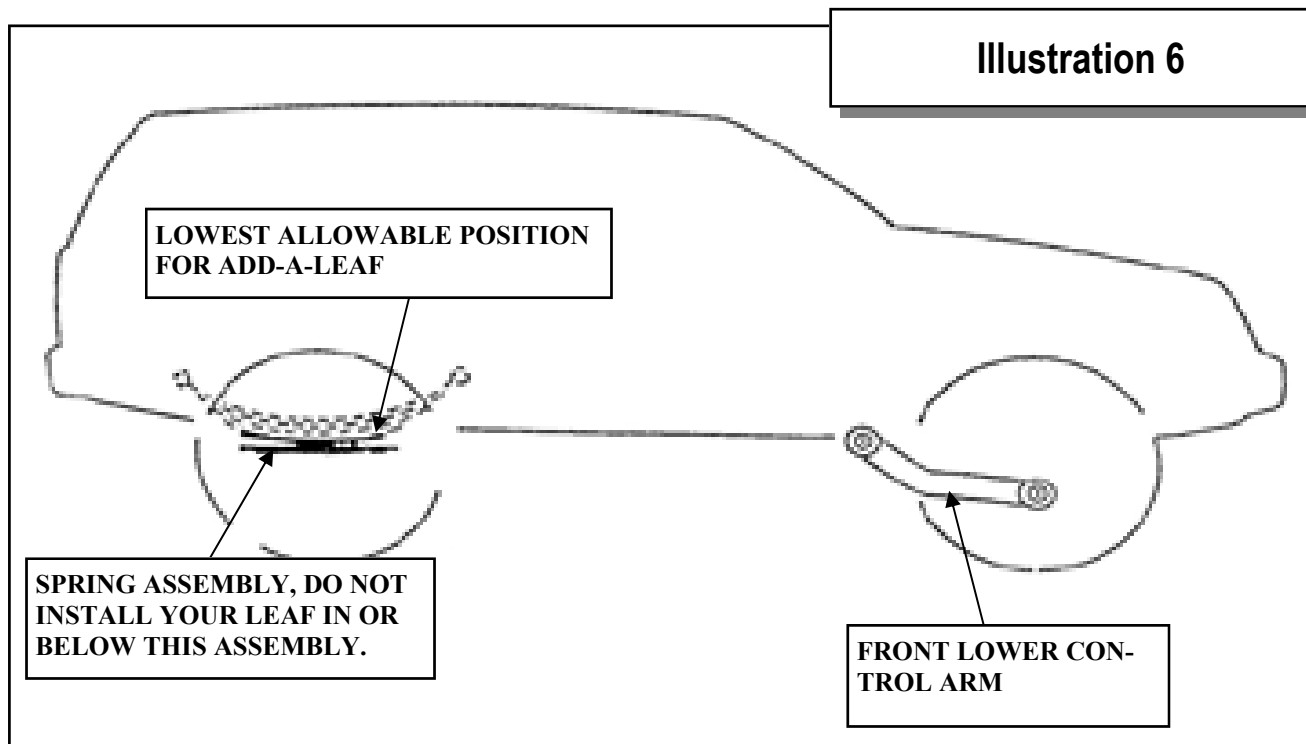




- 2) Raise the axle into position.
- 3) Insert the bushings and sleeves, with grease, into the new lower control arms as shown in ILLUSTRATION 3.
- 4) Position the lower control arms in the front and rear brackets and install using the existing bolts and nuts and the supplied washers if needed. See ILLUSTRATION 3 and 4.
- 5) Tighten the mounting bolts with a torque of 180 Nm (133 ft./lbs.)
- 6) Position the track bar drop bracket, **90-1106** as shown in ILLUSTRATION 5. Mark the hole location on the axle bracket and drill **3/8"** hole. Connect the track bar drop bracket to the axle bracket and the stabilizer bar links and shock absorbers to the axle. Refer back to ILLUSTRATION 2 if necessary.
- 7) Connect the front drive shaft to the axle. See ILLUSTRATION 4.

Rear Installation:

- ⇒ To perform the installation properly, you must use two large c-clamps or a large vise to contain the elastic potential energy stored in a leaf spring when the center bolt is removed.
- ⇒ A new add-a-leaf will be placed in the spring assembly in a progressive pyramid shape.



EXAMPLE: If your #1 leaf is 32" long and your #2 leaf is 24" long and the new add-a-leaf is 28" long, place the new add-a-leaf between leaves #1 and #2.

- ⇒ Some springs will have a factory helper spring consisting of one or more flat or nearly flat leaves installed at the bottom of the leaf pack. See ILLUSTRATION 6.

NOTE: DO NOT INSTALL YOUR ADD-A-LEAF SPRING IN OR BELOW THE HELPER SPRING ASSEMBLY.

- 1) Raise the rear of the vehicle, support the frame with jackstands and remove the rear wheels.
- 2) With a floorjack, raise the rear axle enough to relieve tension on the shock absorbers and remove them. Disconnect the axle vent hose from the axle housing.
- 3) Making sure the axle is well supported, remove the axle u-bolts and hardware. Next, remove the spring eye bolts and shackles, then remove the springs from the vehicle.
- 4) Using c-clamps or a large bench vise, hold the spring assembly securely together.

- 5) If applicable, remove any spring leaf alignment clamps. Using vise grips to hold the head of the center bolt, loosen and remove it. If the bolt has rusted, a hammer and drift punch may be used to drive it out.
- 6) Carefully remove c-clamps or open vise and lay unassembled spring aside.
- 7) With a small amount of grease applied to both ends of the add-a-leaf, reassemble leaf springs with add-a-leaf in place.
- 8) Loosely assemble the completed spring assemblies into their respective axle mounts. Replace the U-bolts, nuts and washers and torque to the factory specifications. Now reinstall spring eye bolts and shackles and torque to factory specifications.
- 9) Cycle steering lock to lock and inspect steering, suspension and driveline systems for proper operation, tightness and adequate clearance. Recheck brake hose/fittings for leaks. Be sure all hoses are long enough. Brake line hose support kit #90-6029 is included with this kit. Use as needed.
- 10) Install the wheels and tires. Remove the jackstands and lower the vehicle.

TORQUE SPECIFICATIONS:

Lower Control Arms-to-Axle.....	133 ft./lbs.
Front Shock Absorbers at Axle.....	14 ft./lbs.
Stabilizer Bar Links-to-Axle.....	70 ft./lbs.
U-Joint Straps at Front Axle.....	14 ft./lbs.
Drag Link-to-Pitman Arm.....	35 ft./lbs.
Track Bar-to-Frame Rail Bracket.....	35 ft./lbs.

CASTER:

Caster should be checked using wheel alignment equipment. If caster is incorrect, adjustment can be made by adding or removing shims at rear of the lower control arms.

FRONT WHEEL ALIGNMENT:

The alignment should be checked and adjusted. To ensure correct alignment, the following inspection is recommended:

	SET TO	OK RANGE
Toe:		
Right Wheel	0	1/32" IN to 1/32"
Left Wheel	0	1/32" IN to 1/32"
Camber	0	-1/2* to +1/2*
Caster	7-1/2*	7* to 8*
*Turn Angle:		
(Outside Wheel)	33* MAX.	33* to 32*

⇒ **This angle may be reduced as to allow 0.5 inches minimum.**

⇒ **Adjust Headlights.**

Notice to Owner operator, Dealer and Installer:

Vehicles that have been enhanced for off-road performance often have unique handling characteristics due to the higher center of gravity and larger tires. This vehicle may handle, react and stop differently than many passenger cars or unmodified vehicles, both on and off-road. You must drive your vehicle safely! Extreme care should always be taken to prevent vehicle rollover or loss of control, which can result in serious injury or even death. Always avoid sudden sharp turns or abrupt maneuvers and allow more time and distance for braking! Pro Comp reminds you to fasten your seat belts at all times and reduce speed! We will gladly answer any questions concerning the design, function, maintenance and correct use of our products.

Please make sure your Dealer/Installer explains and delivers all warning notices, warranty forms and instruction sheets included with Pro Comp product.

Application listings in this catalog have been carefully fit checked for each model and year denoted. However, Pro Comp reserves the right to update as necessary, without notice, and will not be held responsible for misprints, changes or variations made by vehicle manufacturers. Please call when in question regarding new model year, vehicles not listed by specific body or chassis styles or vehicles not originally distributed in the USA.

Please note that certain mechanical aspects of any suspension lift product may accelerate ordinary wear of original equipment components. Further, installation of certain Pro Comp products may void the vehicle’s factory warranty as it pertains to certain covered parts; it is the consumer’s responsibility to check with their local dealer for warranty coverage before installation of the lift.

Warranty and Return policy:

Pro Comp warrants its full line of products to be free from defects in workmanship and materials. Pro Comp’s obligation under this warranty is limited to repair or replacement, at Pro Comp’s option, of the defective product. Any and all costs of removal, installation, freight or incidental or consequential damages are expressly excluded from this warranty. Pro Comp is not responsible for damages and / or warranty of other vehicle parts related or non-related to the installation of Pro Comp product. A consumer who makes the decision to modify his vehicle with aftermarket components of any kind will assume all risk and responsibility for potential damages incurred as a result of their chosen modifications. Warranty coverage does not include consumer opinions regarding ride comfort, fitment and design. Warranty claims can be made directly with Pro Comp or at any factory authorized Pro Comp dealer.

IMPORTANT! To validate the warranty on this purchase please be sure to mail in the warranty card.

Claims not covered under warranty-

- Parts subject to normal wear, this includes bushings, bump stops, ball joints, tie rod ends and heim joints
 - Discontinued products at Pro Comp’s discretion
- Bent or dented product
- Finish after 90 days
- Leaf or coil springs used without proper bump stops
- Light bulbs
- Products with evident damage caused by abrasion or contact with other items
- Damage caused as a result of not following recommendations or requirements called out in the installation manuals
- Products used in applications other than listed in Pro Comp’s catalog
- Components or accessories used in conjunction with other manufacturer’s systems
- Tire & Wheel Warranty as per Pro Competition Tire Company policy
- Warranty claims without “Proof of Purchase”
- Pro Comp Pro Runner coil over shocks are considered a serviceable shock with a one-year warranty against leakage only. Rebuild service and replacement parts will be available and sold separately by Pro Comp. Contact Pro Comp for specific service charges.
- Pro Comp accepts no responsibility for any altered product, improper installation, lack of or improper maintenance, or improper use of our products.

E-Mail: tech@explorerprocomp.com
Website: www.explorerprocomp.com
Fax: (619) 216-1474
Ph: (619) 216-1444

PLACE
WARRANTY REGISTRATION
NUMBER
HERE: _____