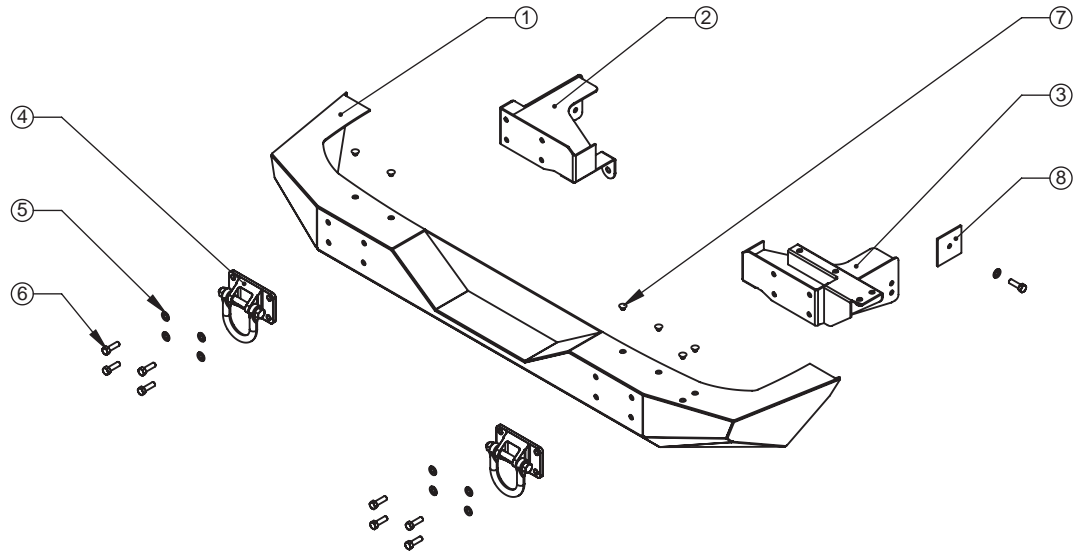


## XHD Rear Bumper, JK & JKU

### Contents:

1. Rear HD Bumper (1)
2. Left Bracket (1)
3. Right Bracket (1)
4. D-Ring (2)
5. 12mm Washer (9)
6. 12mm Bolt (9)
7. Plugs (6)
8. Nut Plate (1)



1. Remove original rear bumper. It is held in by 2 bolts on each side (Figure 1a), and 2 bolts that are attached to brackets which fasten to the rear crossmember (Figure 1b). After the bumper is removed, remove the small brackets from the rear crossmember (Figure 1c). Save the 4 bolts from the side and the 2 bolts from the crossmember, as they are to be re-used.



Figure 1a



Figure 1b



Figure 1c

2. Place Bracket on rear frame rails. Brackets need to be angled up while slid over frame rail (Figure 2a), and then dropped down to level once crossmember hook has been cleared. (Figure 2b). Use bolts removed in Step 1 to bolt brackets to frame (Figure 2c). Two bolts are used to fasten bracket to frame rail, and one to fasten bracket to rear crossmember. Do not tighten bolts yet.



Figure 2a



Figure 2b



Figure 2c

3. Insert Nut Plate into right frame rail as shown (Figure 3a). Hold in place while installing 12mm Bolt and Washer through side of Right Bracket (Figure 3b). Do not tighten bolt yet.



Figure 3a



Figure 3b

4. Set Bumper onto Brackets. It may be necessary / helpful to open the door so that the spare tire does not interfere with installation (Figure 3a). Install D-Rings using 12mm Bolts and Washers. Do not tighten bolts yet.



Figure 4a



Figure 4b

5. Tighten 8 bolts that hold D-Rings to the Bumper and Brackets (Figure 4a), then tighten 6 original bolts that hold the brackets to the vehicle (Figure 4b). Finally, tighten bolt that was installed in Step 3. Install caps in unused holes on top of bumper unless you are installing the 11546.22 Tire Carrier at the same time (Figure 4c). Installation is now complete!



Figure 5a



Figure 5b



Figure 5c

Congratulations on the purchase and installation of a quality Rugged Ridge product!

