



BESTOP

For: Jeep[®] Wrangler

Installation Instructions

TJ Safari Bikini '97- '02

Part Number 52530

To be used with or without Soundbar

To be used with or without Door Side Rails

Congratulations on your purchasing decision. Bestop designed this Convertible Top to give you years of dependability and performance with proper care. If you encounter any problems during the installation of your Convertible Top, or at any later date, please contact your authorized Bestop dealer or call our Consumer Response Department, Monday - Friday 8AM - 4:30PM (MST) at 1-800-346-3910 or (303) 465-1755 in Colorado.

Note: Must be used with a TJ Windshield Channel Kit Part Number 51210-01.

WARNING

This product is designed primarily to enhance the appearance of the vehicle and to shield the occupants from ordinary weather conditions. Do not rely in any way on the components of this product to contain occupants within the vehicle, or to protect against injury or death in the event of an accident. This top will not protect the occupants from falling objects. Never operate vehicle in excess of manufacturer's specifications.

WEAR SEAT BELTS AT ALL TIMES

Read and follow, precisely, all installation instructions provided when installing top. Failure to do so may result in a poor fitting top and could place occupants of the vehicle in a potentially dangerous situation.

Installation Tips

Before you begin installing this top assembly, read all instructions thoroughly. Below are a few tips to make this installation easier.

For a smooth fit:

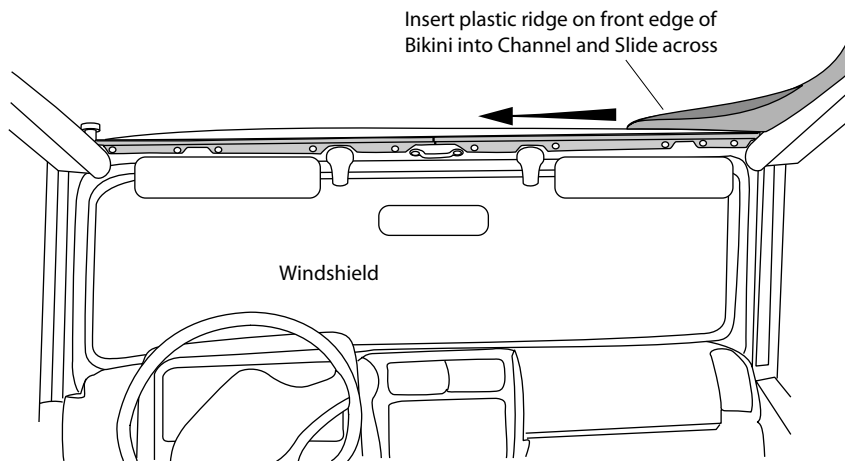
For ease in installation, the top should be installed at temperatures above 72° F. Below this temperature, the top may contract an inch or more, making it difficult to fit to the vehicle.

It is normal for a top to contract and wrinkle when stored in the shipping carton. Within a few days after the installation, the top will relax and the wrinkles will disappear.

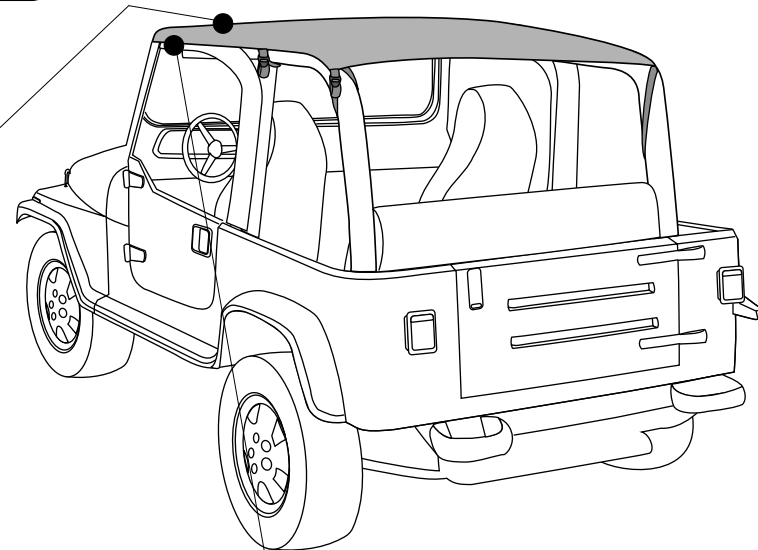
Safari Bikini Qty - 1

Step One

Orient the Bikini with the plastic ridge to the front and the straps toward the back. Start on one side of the vehicle and slide the plastic ridge of the Bikini into the Windshield Channels, working it into position all the way across the front of the vehicle. Make sure that the fabric is centered in the channels, as well as the Plastic Retainer centered relative to the ends of the Windshield Channel.

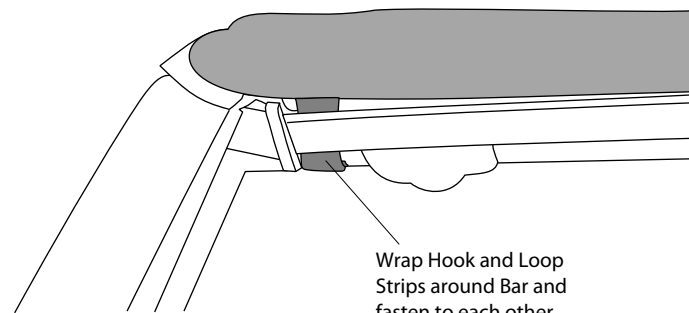


View from inside vehicle - looking toward front



Step Two

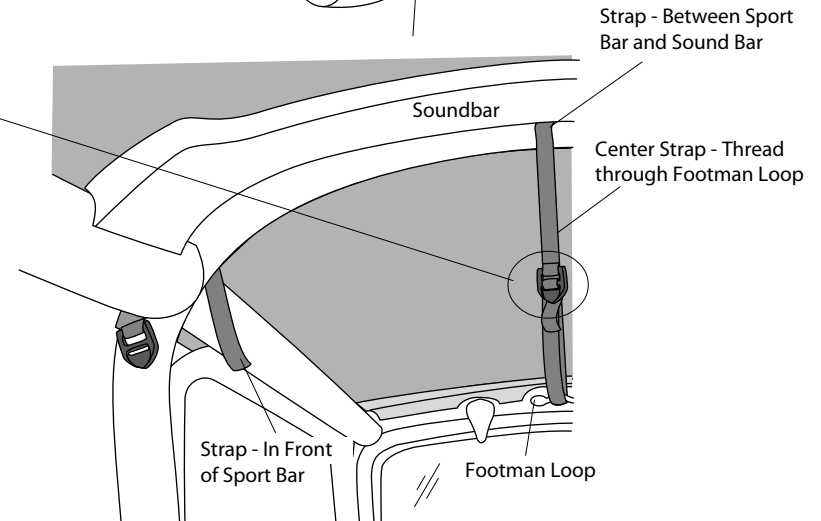
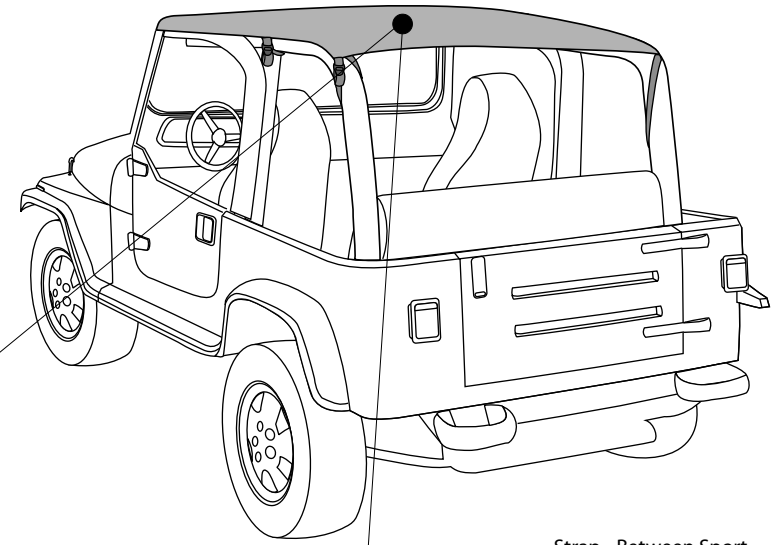
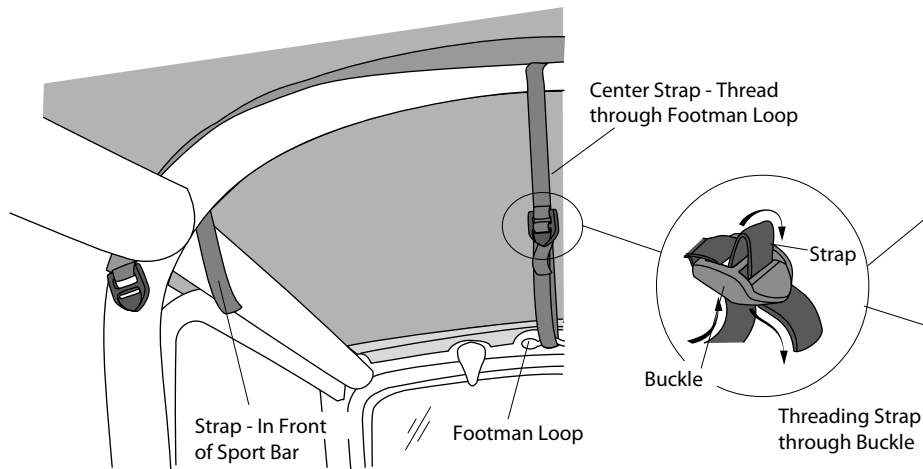
Locate the hook and loop strips sewn to the front corners of the Bikini. Wrap the strips around the horizontal bar, above the door and fasten them to each other.



Step Three - Without Soundbar

Drape the fabric over the sport bar. Make sure that the long tails of the straps on the side of the Bikini are in front of the sport bar.

Wrap the flap with the long center strap, inside the Safari Bikini around the sport bar, pull the strap forward to the windshield. Thread the strap through the footman loop on the windshield frame. Then pull the end of the strap back and thread it through the buckle. Tighten it securely.



Step Three - With Soundbar

Drape the fabric over the sport bar. Make sure that the long tails of the straps on the side of the Bikini are in front of the sport bar and that the long center strap is resting on top of the soundbar.

Push the end of the strap between the sport bar and the soundbar. Push the end of the strap through until you can get a hold of the strap to pull the buckle through. Wrap the flap with the long center strap, inside the Safari Bikini around the sport bar, pull the strap forward to the windshield. Thread the strap through the footman loop on the windshield frame. Then pull the end of the strap back and thread it through the buckle. Tighten it securely.

Note: Some soundbars fit extremely tight against the sport bar preventing the buckles easy access to the straps. If this is the case, the soundbar must be moved slightly rearward. The distance will vary on each vehicle.

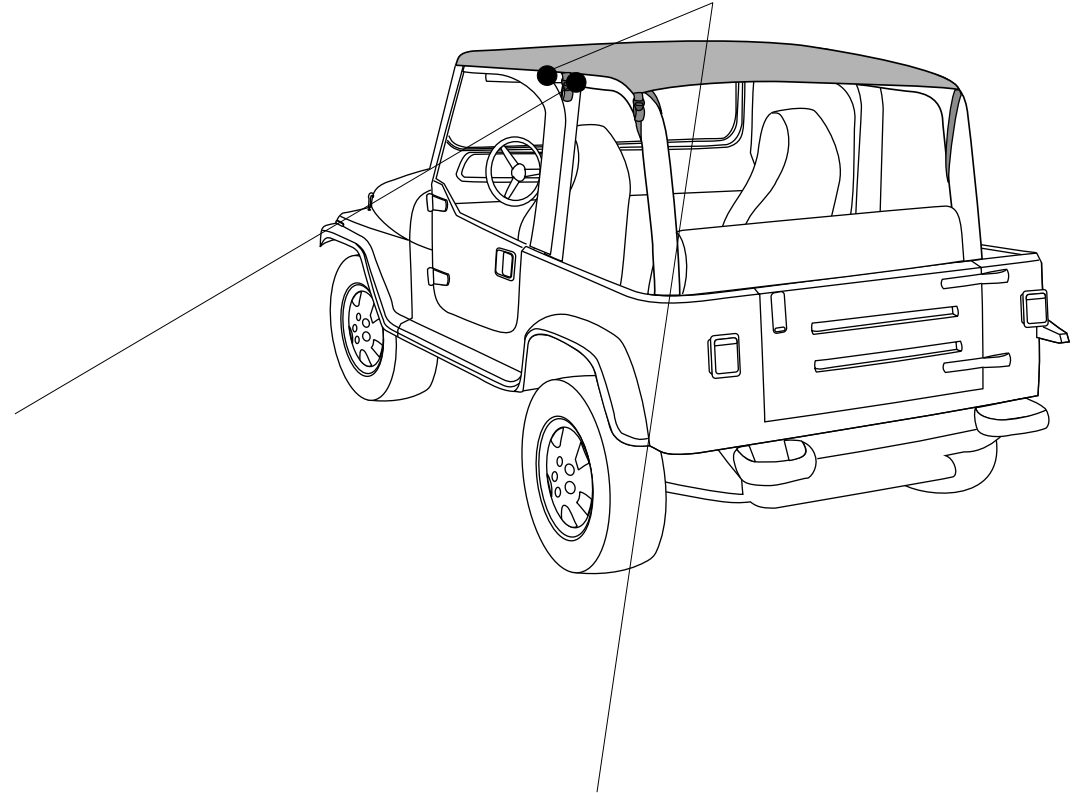
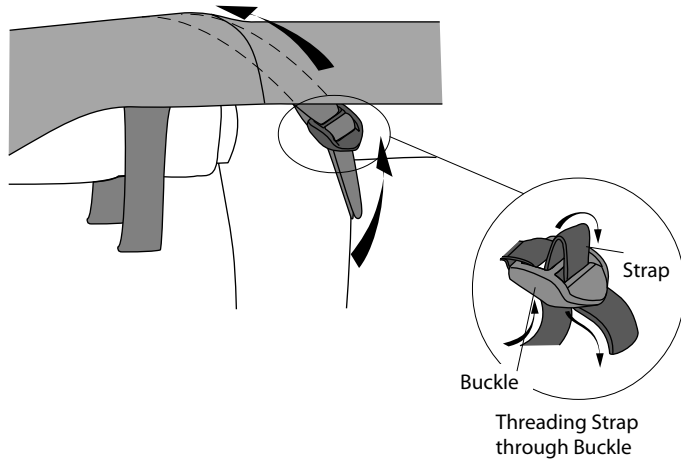
Remove the four bolts securing the soundbar in place. Reposition the soundbar rearward (check the clearance for buckle accessibility), notch out the soundbar attachment brackets accordingly - in most cases it will be less than 1/4". Reinstall the four bolts.



52530 3

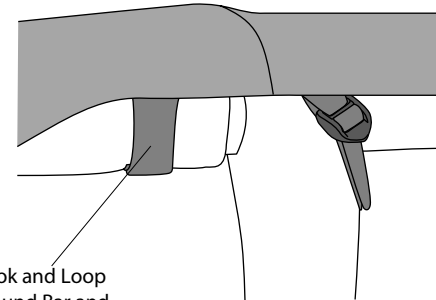
Step Four

Wrap the strap sewn to the side of the Safari Bikini around the sport bar and thread it through the buckle on the side of the bikini.



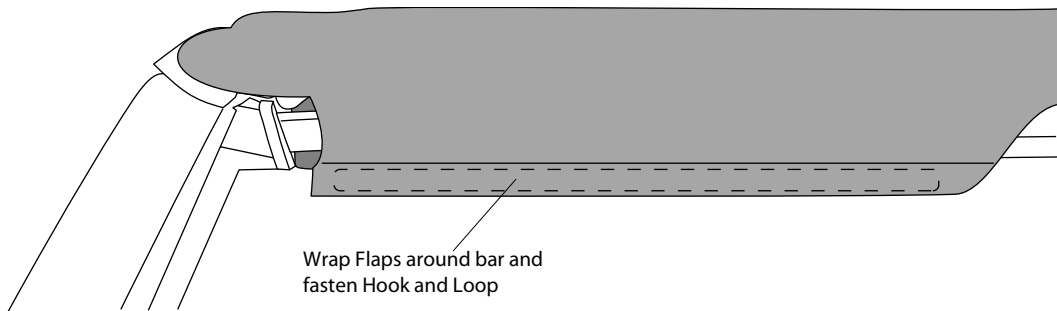
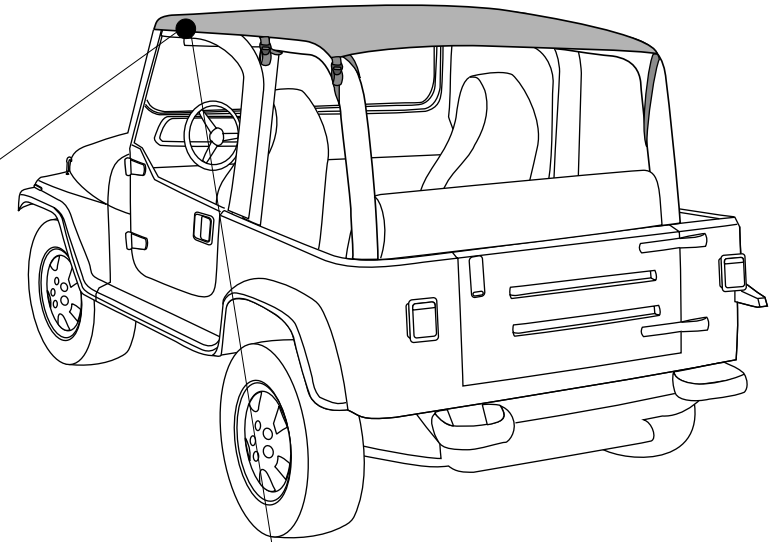
Step Five

Locate the hook and loop strips sewn to the Safari Bikini just in front of the Sport Bar. Wrap the strips around the horizontal bar and fasten them to each other.



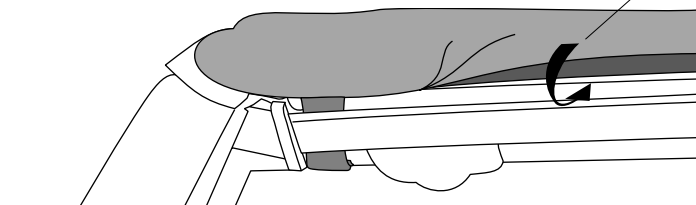
Step Six - with Door Side Rails

Locate the two plastic strips sewn to the sides of the Bikini, above each door. Slip the strips into the channel in the Door Side Rail.



Wrap Flaps around bar and fasten Hook and Loop

Roll Plastic Strips into channel in Door Side Rail



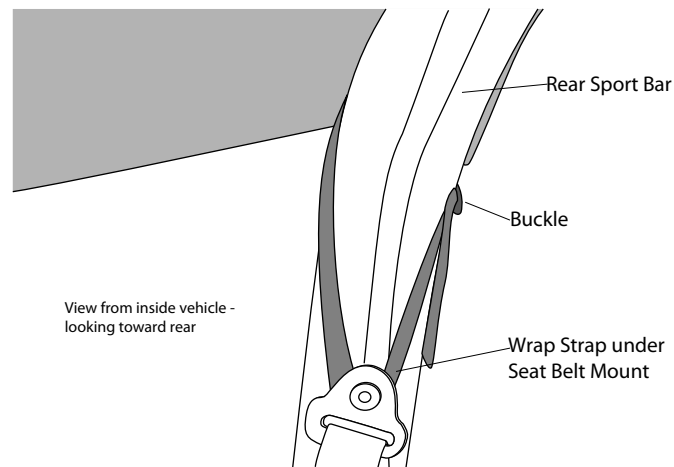
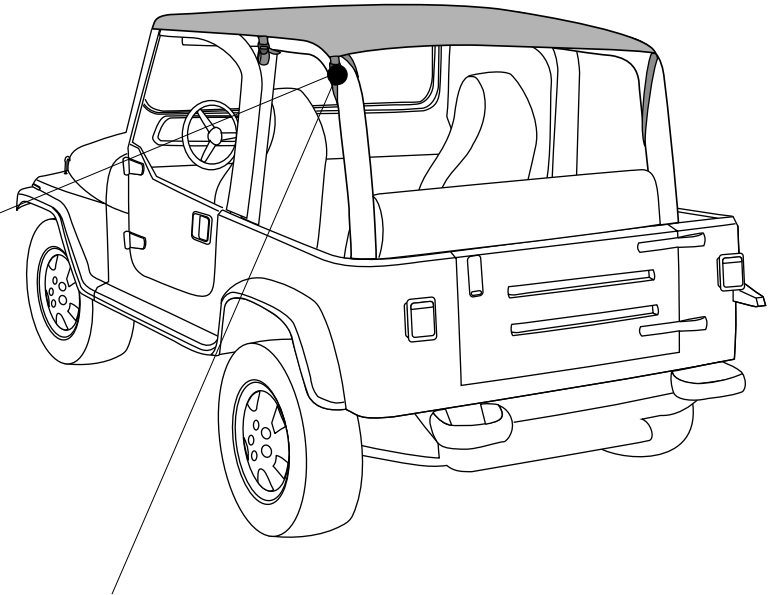
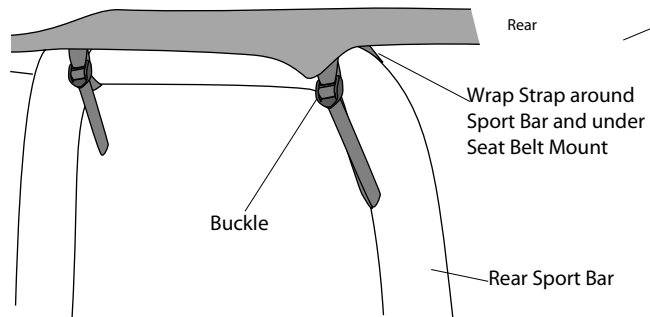
Step Six - without Door Side Rails

Locate the flap sewn inside the Bikini above the door opening. Wrap the inside and outside flaps around the horizontal sport bar and fasten the Hook and Loop Strips to each other.

Note: When removing the Bikini, it will be easiest to remove the plastic strips by starting at the front of the plastic and pulling down and out.

Step Seven

Locate the Buckles and straps sewn to the rear corners of the Safari Bikini. Wrap the straps around the sport bars and under the seat belt mounts. Thread the ends of the straps through the buckles and pull them tight.



View from inside vehicle -
looking toward rear

Care and Maintenance of your Bestop Top

Your top is made of the finest materials available. To keep it looking new and for the maximum possible wear, it will need periodic cleaning and maintenance.

Washing: The top fabric should be washed often using soap, warm water and a soft bristle brush. Rinse with clear water to remove all traces of soap.

Water: Seeping through at the seams may be stopped by applying 3-M Scotchgard® on the inside of the seams. Rips in the fabric may be repaired with Bondex® iron on patches. Iron the patches to the Inside of the top, carefully following the Bondex® instructions.

LIMITED WARRANTY

We warrant our product to be free from defects in material and workmanship, for the terms specified below, provided there has been normal use and proper maintenance. This warranty applies to the original purchaser only. All remedies under this warranty are limited to the repair or replacement of any item or items found by the factory to be defective within the time period specified.

If you have a warranty claim, first you must call our factory at the number below for instructions. You must retain proof of purchase and submit a copy with any items returned for warranty work. Upon completion of warranty work, if any, we will return the repaired or replaced item or items to you freight prepaid. Damage to our products caused by accidents, fire, vandalism, negligence, misinstallation, misuse, Acts of God, or by defective parts not manufactured by us, is not covered under this warranty.

THE WARRANTY TIME PERIOD IS AS FOLLOWS: ALL "SOFT GOODS" MANUFACTURED BY OUR COMPANY (USING PRIMARILY VINYL, PLASTICS, AND/OR FOAM): ONE YEAR FROM DATE OF PURCHASE.

ANY IMPLIED WARRANTIES OF MERCHANTABILITY AND/OR FITNESS FOR A PARTICULAR PURPOSE CREATED HEREBY ARE LIMITED IN DURATION TO THE SAME DURATION AND SCOPE AS THE EXPRESS WRITTEN WARRANTY. OUR COMPANY SHALL NOT BE LIABLE FOR ANY INCIDENTAL OR CONSEQUENTIAL DAMAGE.

Some states do not allow limitations on how long an implied warranty lasts, or the exclusion or limitation of incidental or consequential damages, so the above limitations or exclusions may not apply to you.

This warranty gives you specific legal rights, and you may also have other rights which vary from state to state.

For further information or request for warranty work, please contact:

Bestop Inc.
Customer Service
(800) 845-3567
(303)465-1755