



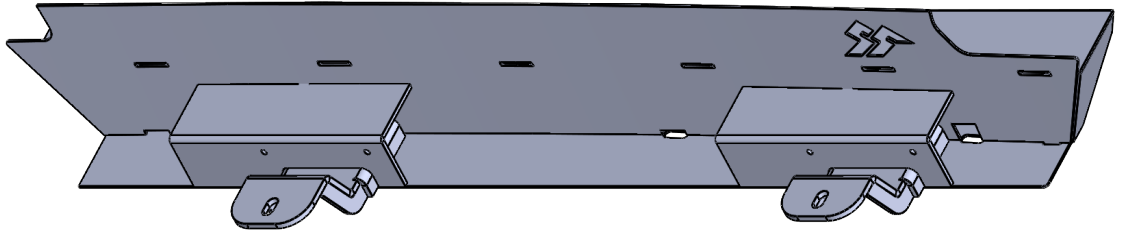
OMIX-ADA, Inc.

Part # 11504.33

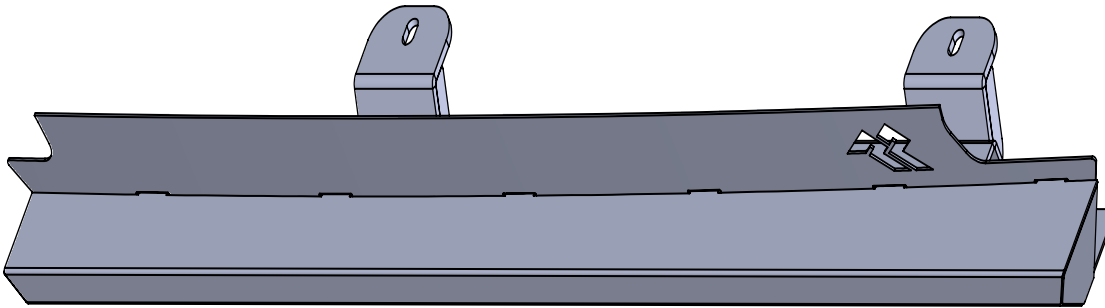
460 HORIZON DR. SUITE 400 | SUWANEE, GA 30024 | PHONE: 770-614-6101 | FAX: 844-270-0593 | www.Omix-ADA.com

XHD Rock Sliders, JL Wrangler (2 Door)

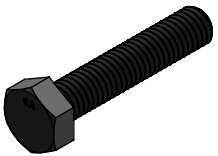
1



2



3



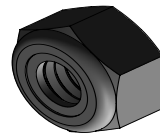
4



5



6



7



Components

- 1. Rock Slider - Left
- 2. Rock Slider - Right
- 3. M8 Bolt
- 4. M8 Lock Washer

- (1) 5. M8 Flat Washer (4)
- (1) 6. M6 Lock Nut (8)
- (4) 7. M6 Flat Washer (8)
- (4)

OMIX-ADA® TECHNICAL SUPPORT

PHONE: M-F 8am - 5pm EST 1-800-449-6649

FOR WARRANTY OR TECH CONCERNS EMAIL: webmaster@omixsupport.com

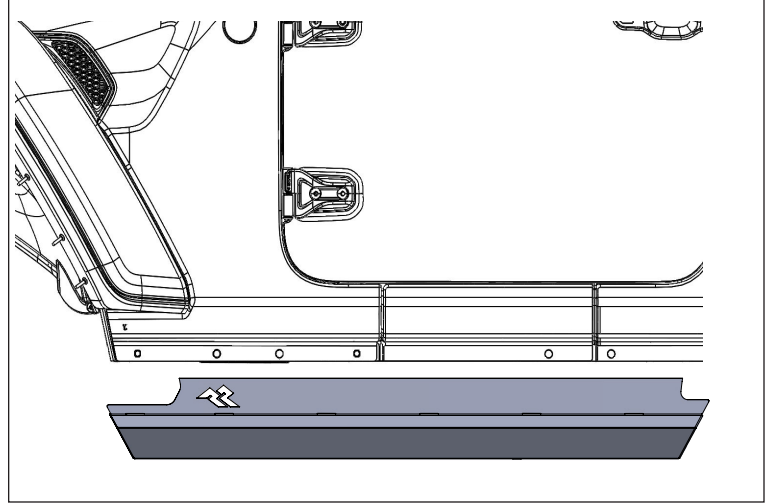


OMIX-ADA, Inc.

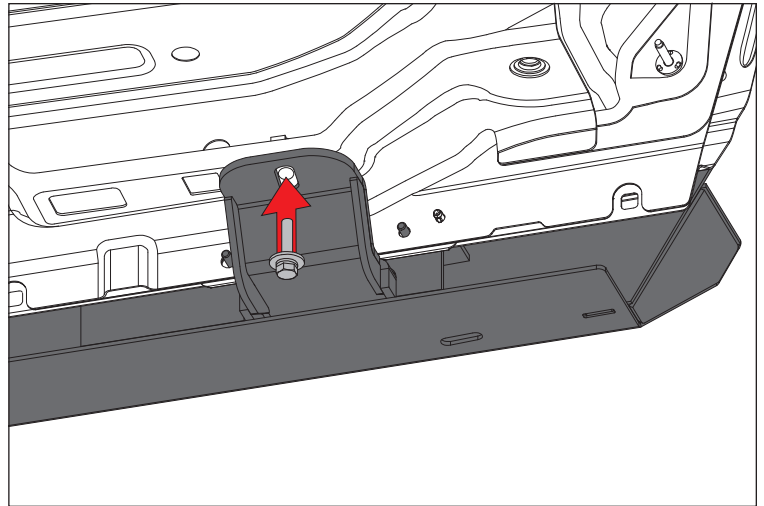
460 HORIZON DR. SUITE 400 | SUWANEE, GA 30024 | PHONE: 770-614-6101 | FAX: 844-270-0593 | www.Omix-ADA.com

XHD Rock Sliders, JL Wrangler (2 Door)

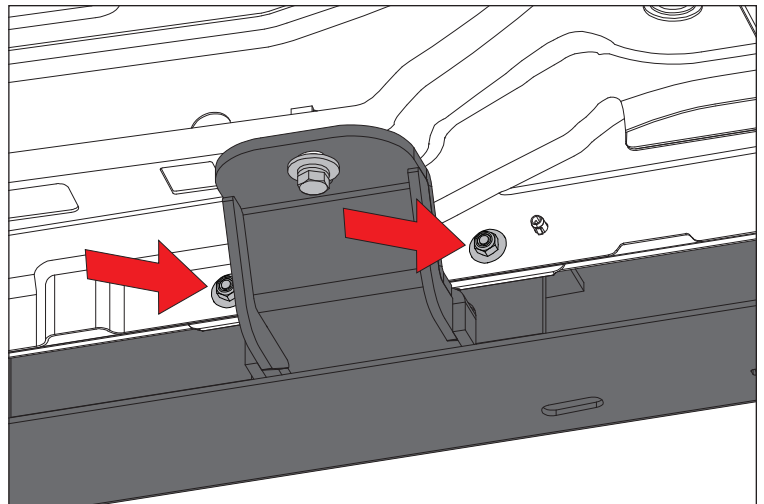
1. With help of another person, guide Rock Slider on side of body. Ensure M6 studs go through holes in pinch seam.



2. Loosely install supplied M8 hardware in each body mounting hole.



3. Install supplied M6 hardware on studs of Rock Slider and tighten until Rock Slider fits snug against body.



4. Tighten M8 hardware.