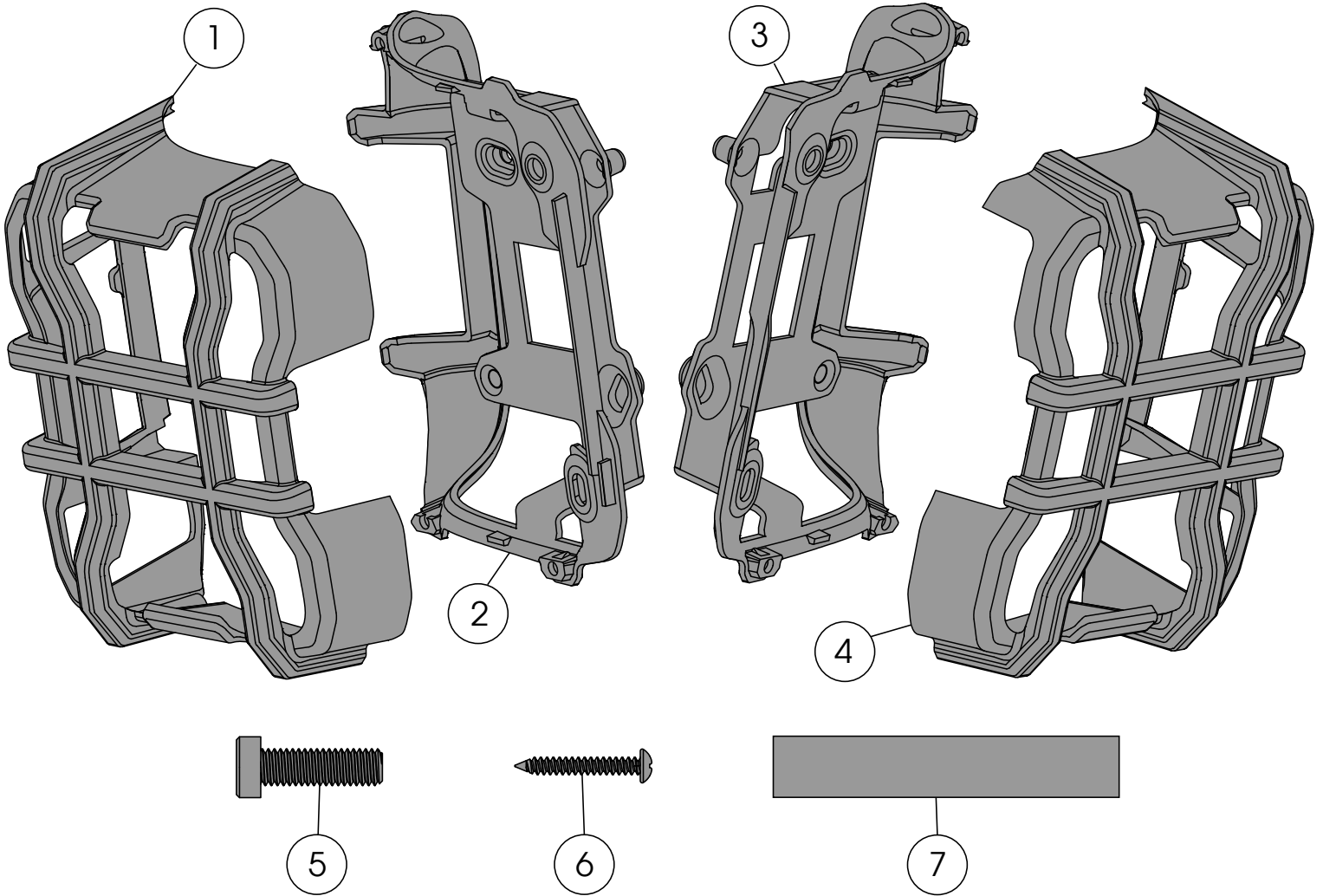




460 HORIZON DR. | SUWANEE, GA 30024 | PHONE: 770-614-6101 | FAX: 770-614-6069 | www.omix-ada.com

Part #11226.12

# Elite Tail Light Guard, Wrangler JL Patent Pending



### Components

- |                     |     |               |     |
|---------------------|-----|---------------|-----|
| 1. Guard, LH        | (1) | 5. Screws     | (6) |
| 2. Rear Housing, LH | (1) | 6. Bolts      | (6) |
| 3. Rear Housing, RH | (1) | 7. Foam Strip | (1) |
| 4. Guard, RH        | (1) |               |     |

#### OMIX-ADA® TECHNICAL SUPPORT

PHONE: M-F 8am - 5pm EST 1-800-449-6649 | TICKET: [www.omixsupport.com](http://www.omixsupport.com)

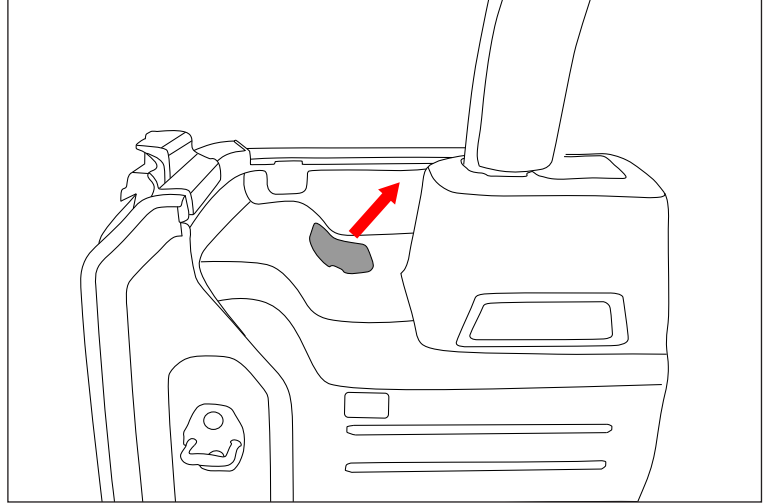
FOR WARRANTY INFORMATION VISIT: [www.Omix-Ada.com](http://www.Omix-Ada.com)



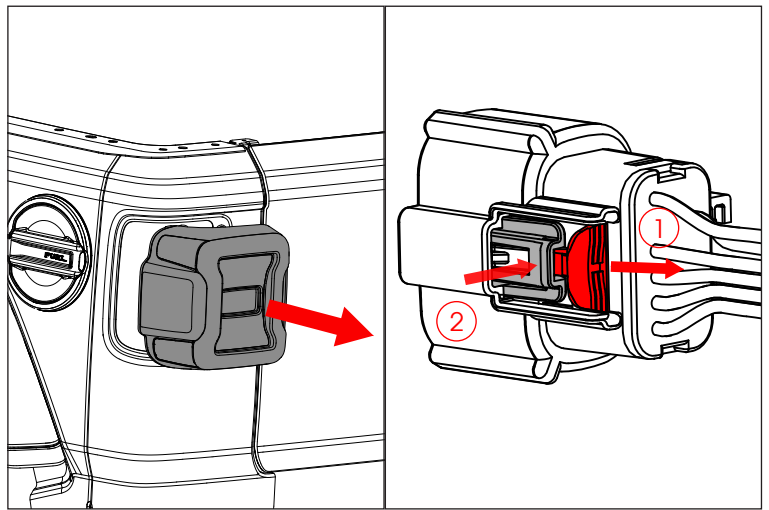
460 HORIZON DR. | SUWANEE, GA 30024 | PHONE: 770-614-6101 | FAX: 770-614-6069 | www.omix-ada.com

## Elite Tail Light Guard, Wrangler JL

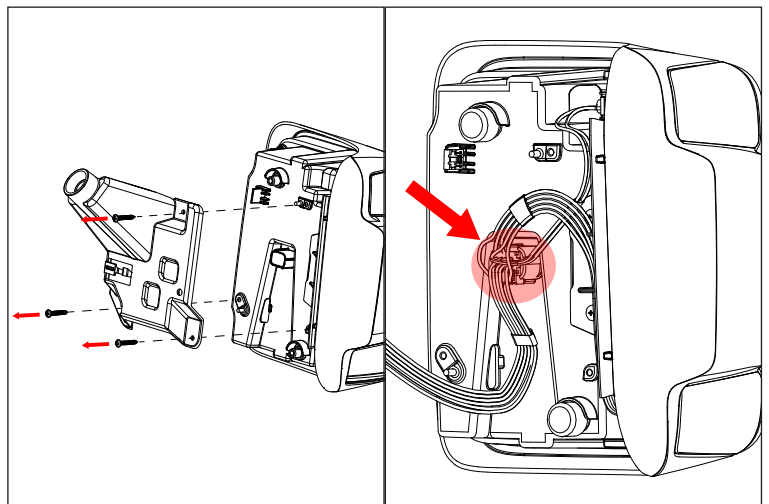
1. Lift plastic cover in cargo area to gain access to Tail Light Mounting Bolt.



2. Using either a 10mm or T40 torx socket, unscrew OE Mounting Bolt and carefully pull LED Tail Light away from vehicle. Unplug LED Tail Light by sliding red tab first. Then press down on gray tab and gently pull plug from light.



3. Remove OE Mounting Bracket by unscrewing Phillips Head Screws. Disconnect Electrical Plug on the back of LED Tail Light.



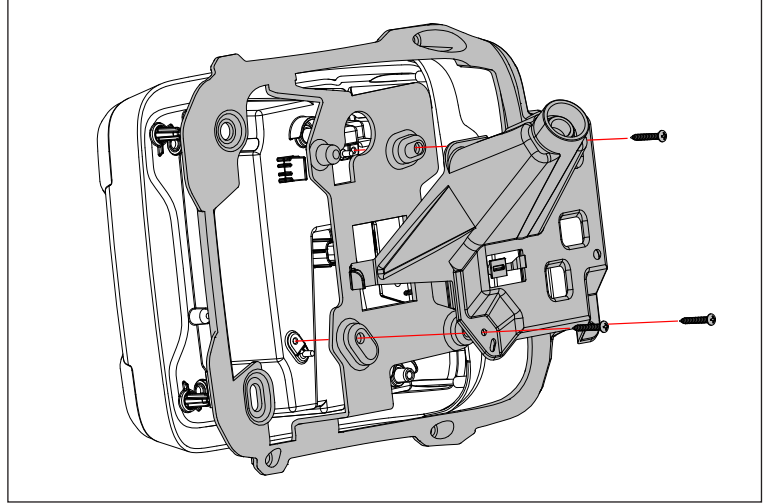


460 HORIZON DR. | SUWANEE, GA 30024 | PHONE: 770-614-6101 | FAX: 770-614-6069 | www.omix-ada.com

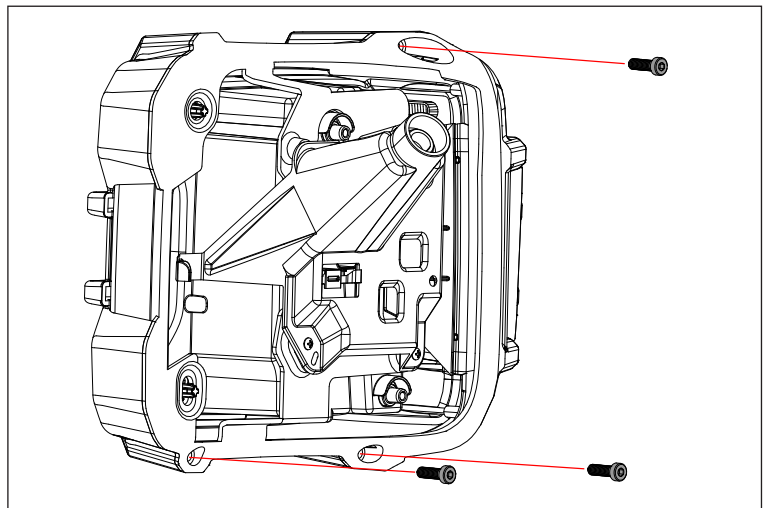
## Elite Tail Light Guard, Wrangler JL

4. Position supplied Rear Housing between OE Mounting Bracket and LED Tail Light. Using supplied Screws, attach Rear Housing and OE Mounting Bracket to LED Tail Light.

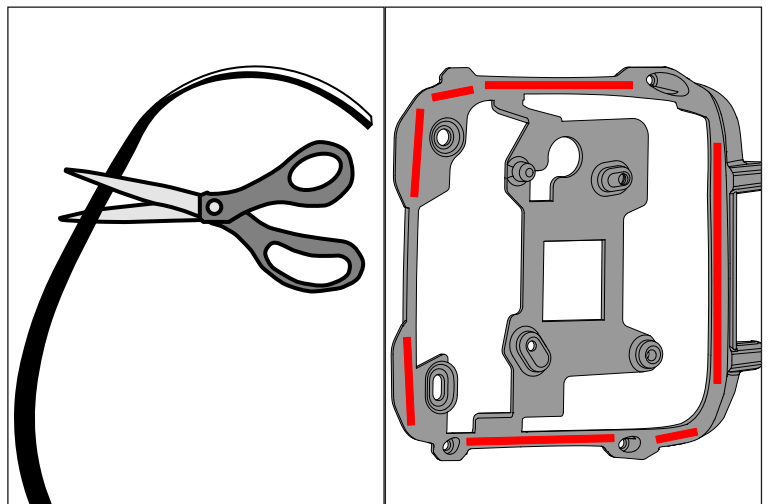
**NOTICE** Be careful not to pinch wires between Housing and LED Tail Light.



5. Reattach Electrical Plug from Step 3 to LED Tail Light. Using supplied Bolts, attach Guard to Rear Housing.



6. Cut and attach Foam Strips to area shown.





460 HORIZON DR. | SUWANEE, GA 30024 | PHONE: 770-614-6101 | FAX: 770-614-6069 | www.omix-ada.com

## Elite Tail Light Guard, Wrangler JL

7. Reconnect Tail Light to factory wire harness.  
Reusing OE Tail Light Mounting Bolt, attach LED Tail Light and new Tail Light Guard to vehicle.

