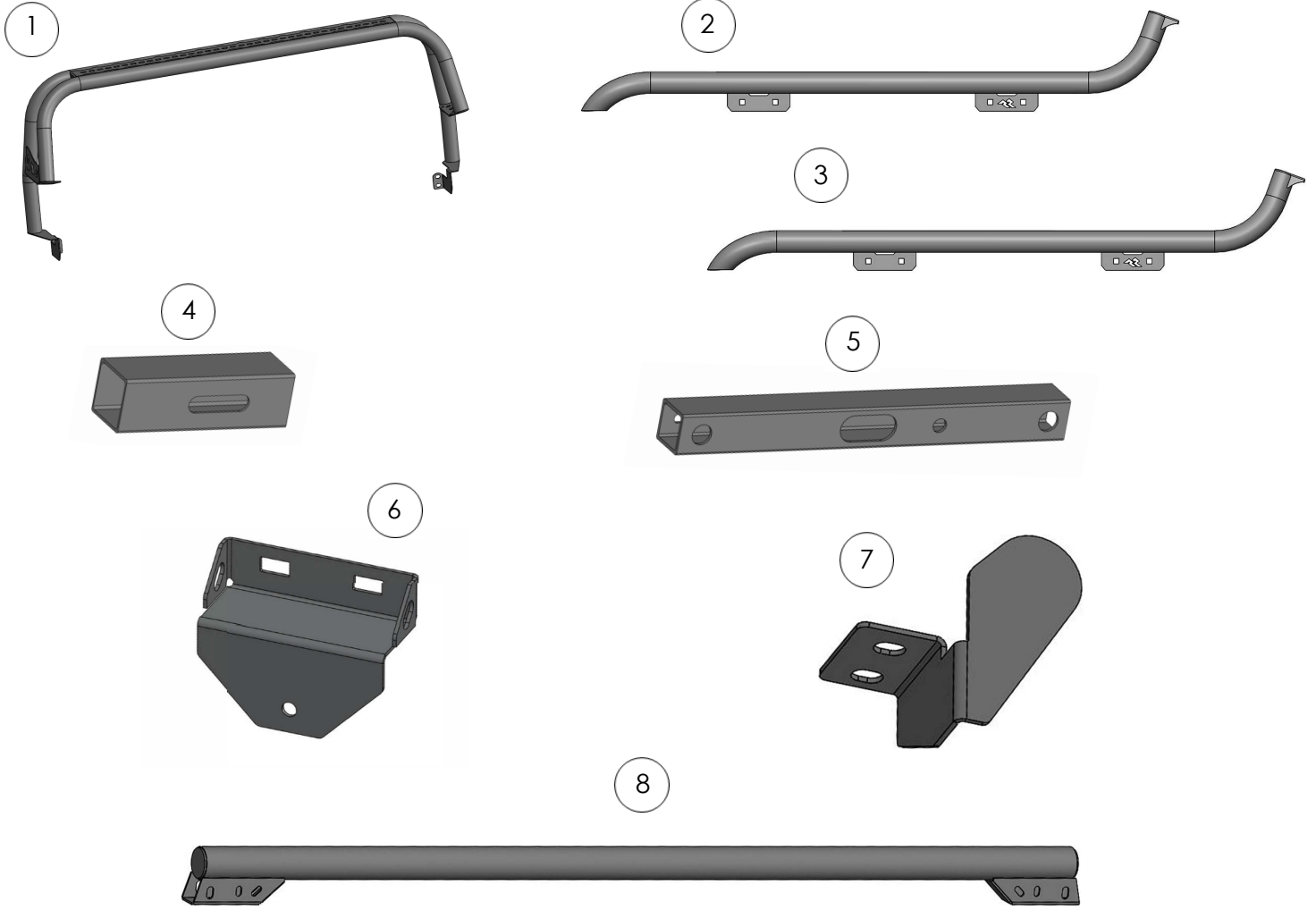


Sport Rack, Gladiator



Components

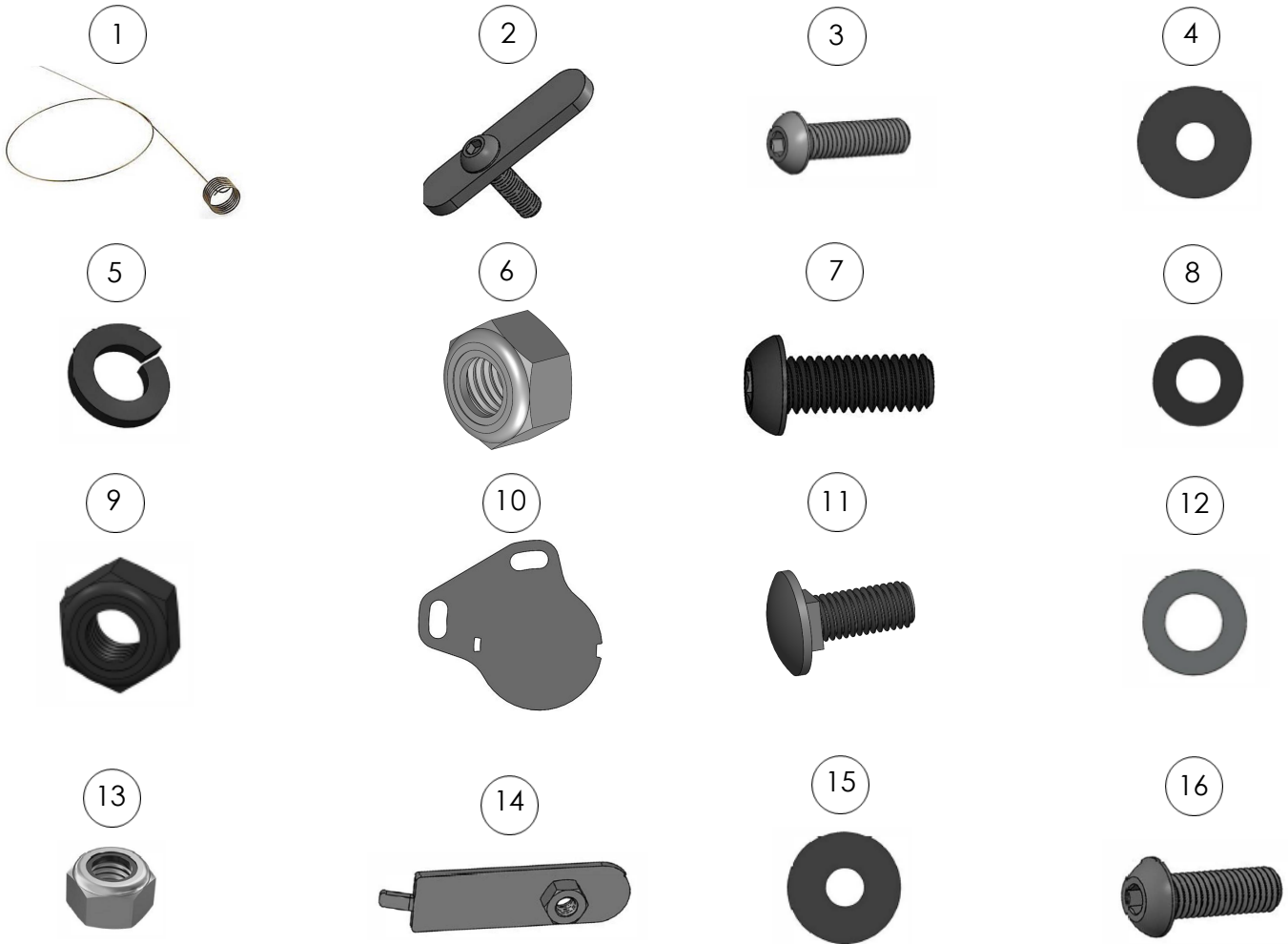
1. Sport Rack Upright.....	(1)
2. Sport Rack Driver Side Rail.....	(1)
3. Sport Rack Passenger Side Rail.....	(1)
4. Bed Rail Spacers Front.....	(2)
5. Bed Rail Spacers Rear.....	(2)
6. Side Rail Mounting Brackets.....	(4)
7. Cross Rail Mounting Brackets.....	(4)
8. Cross Rails.....	(2)

OMIX-ADA® TECHNICAL SUPPORT

PHONE: M-F 8am - 5pm EST 1-800-449-6649 | EMAIL: techsupport@omix-ada.com

FOR WARRANTY INFORMATION VISIT: www.Omix-Ada.com

Sport Rack, Gladiator



Components

Sport Rack Hardware Bag

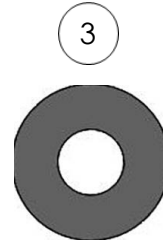
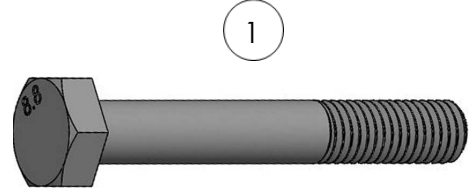
- | | |
|------------------------------------|--------------------------------------|
| 1. Wire Guide.....(2) | 10. Adhesive Backed Isolator.....(2) |
| 2. M8 Bolt Plates.....(4) | 11. M10 Carriage Bolt.....(8) |
| 3. M8 Button Head.....(2) | 12. M10 Flat Washer.....(8) |
| 4. M8 Large OD Flat Washer.....(4) | 13. M10 Nylock Nut.....(8) |
| 5. M8 Split Lock Washer.....(4) | 14. M10 Nut Plate.....(4) |
| 6. M8 Nylock Nut.....(4) | 15. M10 Large OD Flat Washer.....(4) |
| 7. M6 Button Head.....(4) | 16. M10 Button Head.....(4) |
| 8. M6 Flat Washer.....(8) | |
| 9. M6 Nylock Nut.....(4) | |

OMIX-ADA® TECHNICAL SUPPORT

PHONE: M-F 8am - 5pm EST 1-800-449-6649 | EMAIL: techsupport@omix-ada.com

FOR WARRANTY INFORMATION VISIT: www.Omix-Ada.com

Sport Rack, Gladiator



Components

Cargo Track Spacer Hardware Bag

- 1. M6 Button Head.....(6)
- 2. M6 Large OD Washer.....(6)

Crossbar Hardware Bag

- 1. M10 Hex Head Bolt.....(4)
- 2. M10 Nylock Nut.....(4)
- 3. M10 Flat Washer.....(8)

OMIX-ADA® TECHNICAL SUPPORT

PHONE: M-F 8am - 5pm EST 1-800-449-6649 | EMAIL: techsupport@omix-ada.com

FOR WARRANTY INFORMATION VISIT: www.Omix-Ada.com

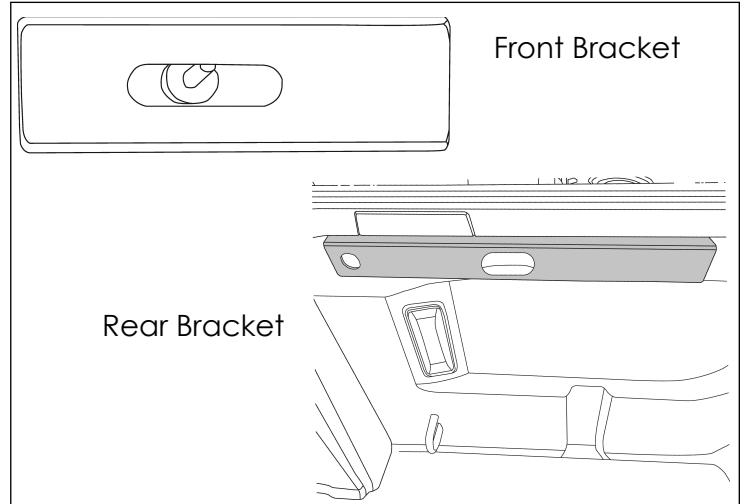


460 HORIZON DR. SUITE 400 | SUWANEE, GA 30024 | PHONE: 770-614-6101 | FAX: 770-614-6069 | info@omix-ada.com

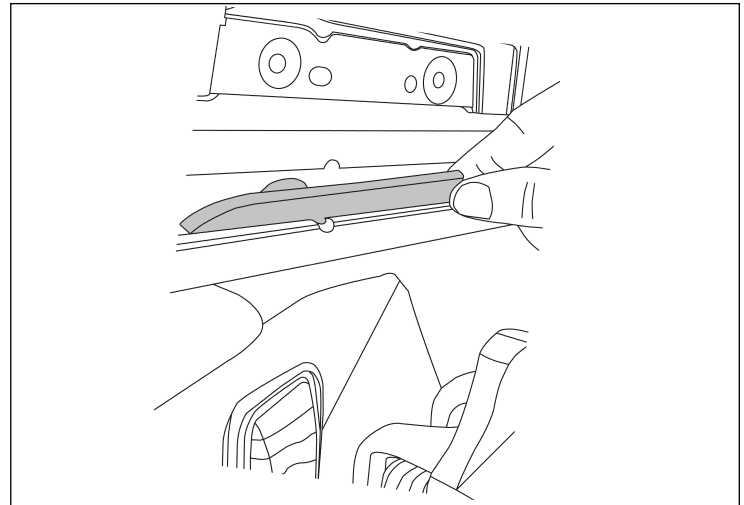
Sport Rack, Gladiator

1. If you have the Trail Rail System skip to step #2. If you don't have the trail rail system, install the Front and Rear Bed Rail Spacers using the photo as a guide for orientation for the rear. For the front use the 2nd threaded hole from the bulkhead/front of the bed. Secure the spacers in place with supplied M6 bolts and flat washer (6 total: 2 for rear, 1 for front x 2 sides) hardware.

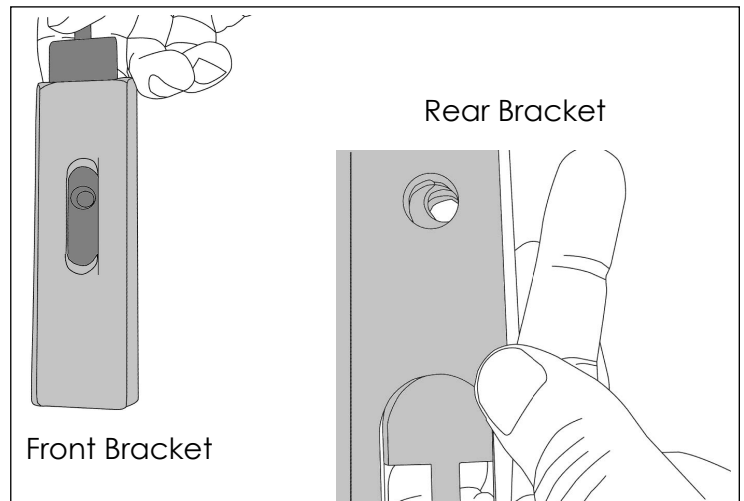
NOTE: The small Bed Rail Spacer goes in the front, the long Bed Rail Spacer goes in the rear.



2. If you have the Trail Rail System, drop in 2 nut plates per side and rotate up so it can slide in the track.



3. If using supplied Bed Rail Spacers, insert a nut plate per side in the front and rear bed spacers.



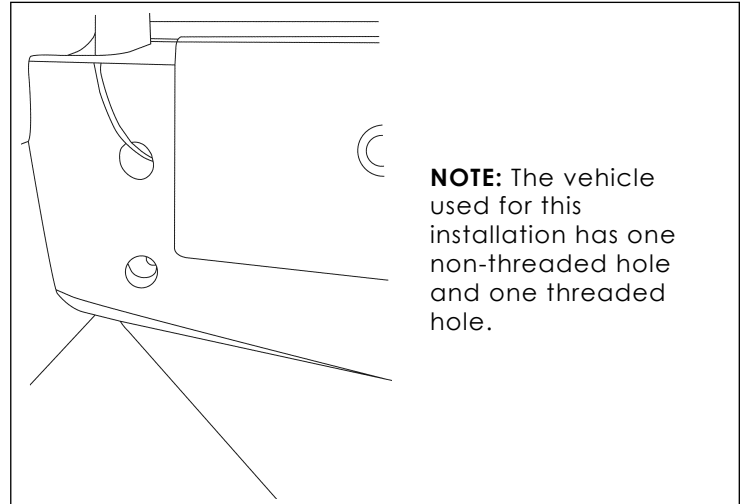


460 HORIZON DR. SUITE 400 | SUWANEE, GA 30024 | PHONE: 770-614-6101 | FAX: 770-614-6069 | info@omix-ada.com

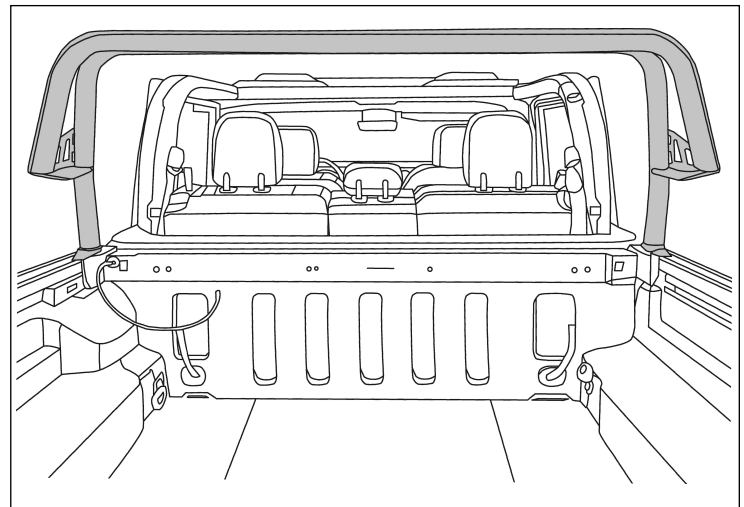
Sport Rack

4. Determine if your bulkhead has a threaded hole on the bottom or two non-threaded holes.

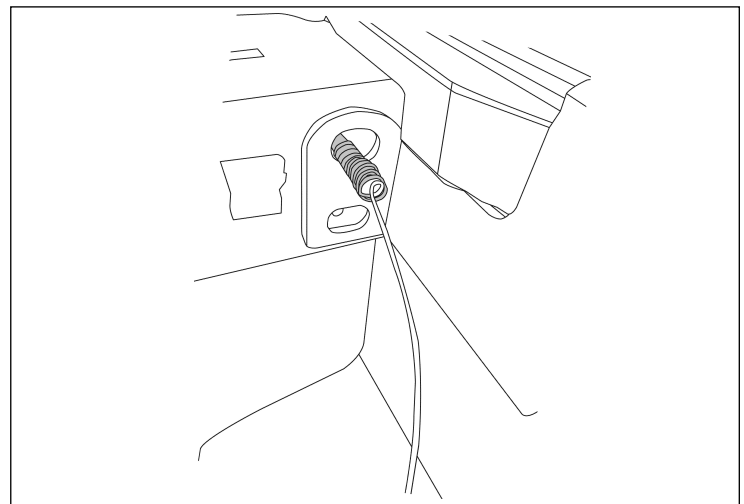
NOTE: You will use this information in later steps.



5. Place upright on the bed rails at the bulkhead. Ensure the flat plate is flush with the bulkhead.



6. Use the wire guide to insert the bolt plate through the top hole and use an M8 flat washer and M8 Nylock nut. Loosely secure so you can re-use your wire guide for other bolt plates (if applicable). If your bottom hole is threaded, insert a M8 Bolt, M8 Nylock Nut, flat washer and hand tighten. If your bottom hole is non-threaded repeat the steps from above.

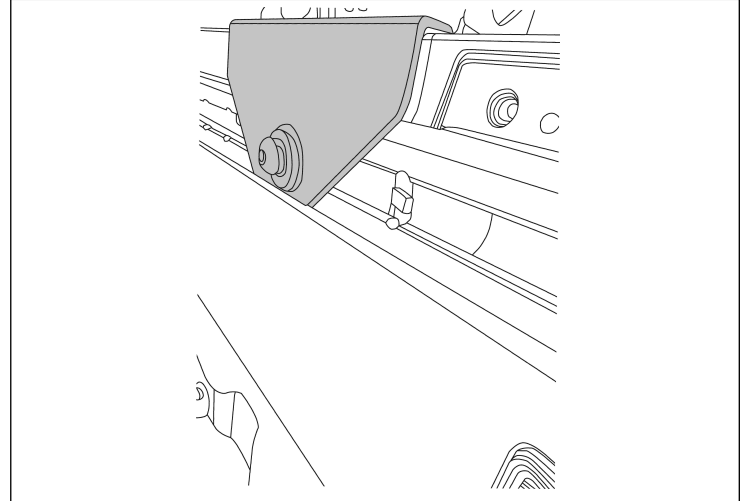




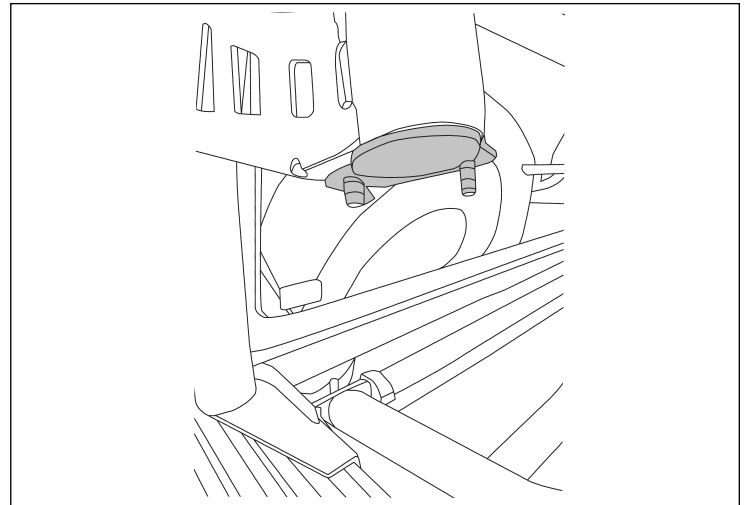
460 HORIZON DR. SUITE 400 | SUWANEE, GA 30024 | PHONE: 770-614-6101 | FAX: 770-614-6069 | info@omix-ada.com

Sport Rack

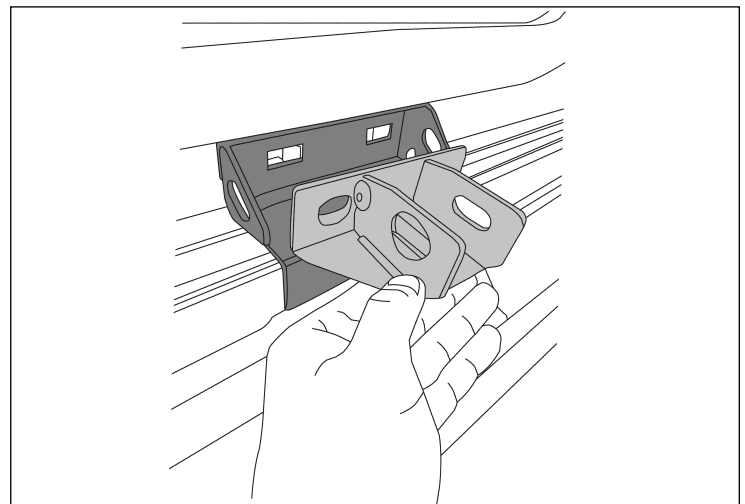
7. Loosely attach the Track Mount Brackets to the nut plate you inserted in Step 2 with an M10 Bolt and M10 flat washer



8. Align foam pads to either side rail or upright to determine correct placement. Once correct side is identified, peel and adhere pad to appropriate location. One pad will adhere to the side rail, other will adhere to the upright.



9. Place the cross rail mounting brackets on top of the Track Mount Brackets making sure the holes align.



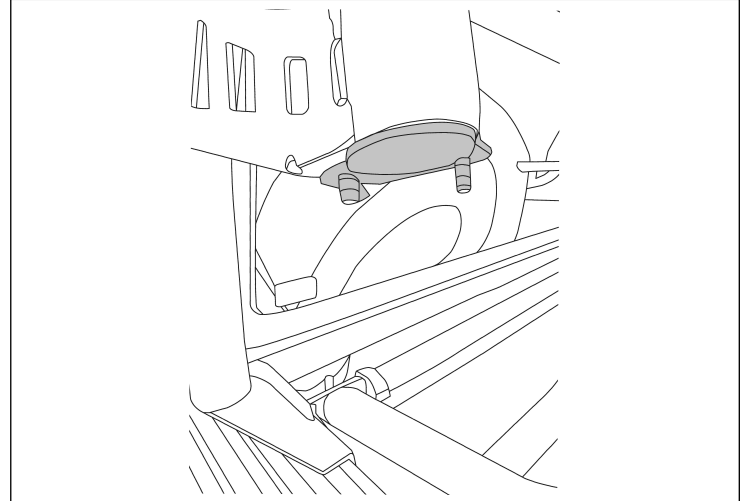


OMIX-ADA, Inc.

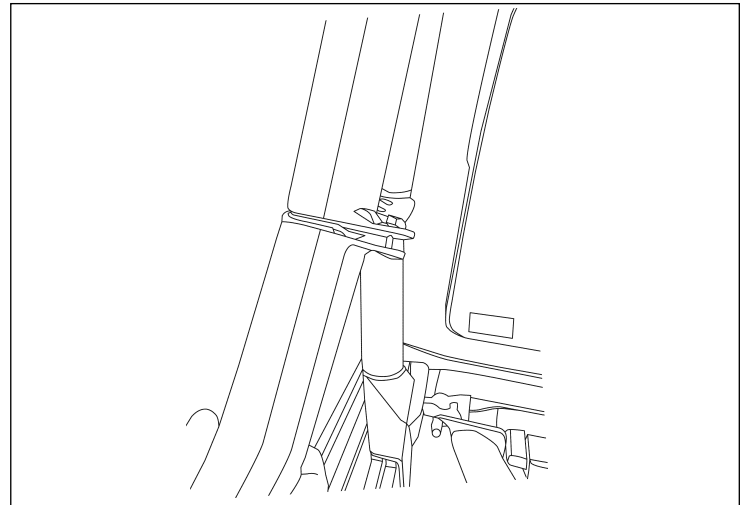
460 HORIZON DR. SUITE 400 | SUWANEE, GA 30024 | PHONE: 770-614-6101 | FAX: 770-614-6069 | info@omix-ada.com

Sport Rack

10. Insert M6 button head bolts and M6 flat washers into the slotted holes on the uprights.



11. Starting on the Driver side, use the M6 bolts as a guide and start the side rail installation.

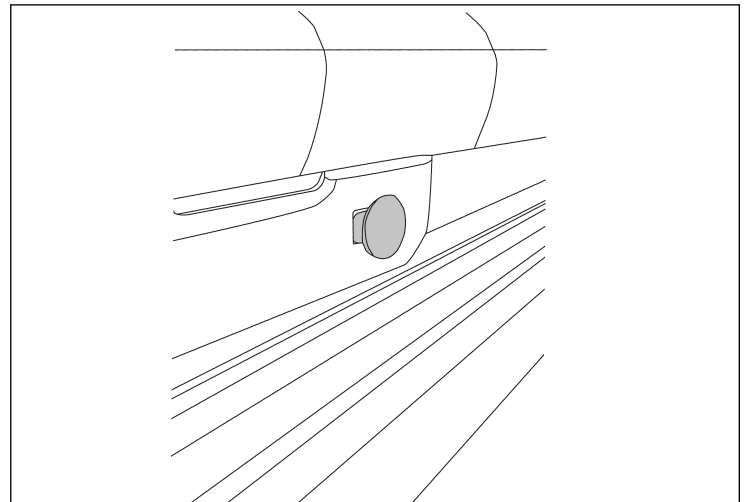


12. Insert one carriage bolt on the rear bracket make sure it passes through the side rail, track mount bracket and cross bar bracket. Loosely attach a M10 Nylock nut. Repeat steps to install the reaming carriage bolts.

Note: Bolt is inserted from the outside of the bracket with the threads on the inside.

Tech Tip: Ensure bolts are loosely attached, you will tighten them in a later step.

Repeat steps to install passenger side rail.





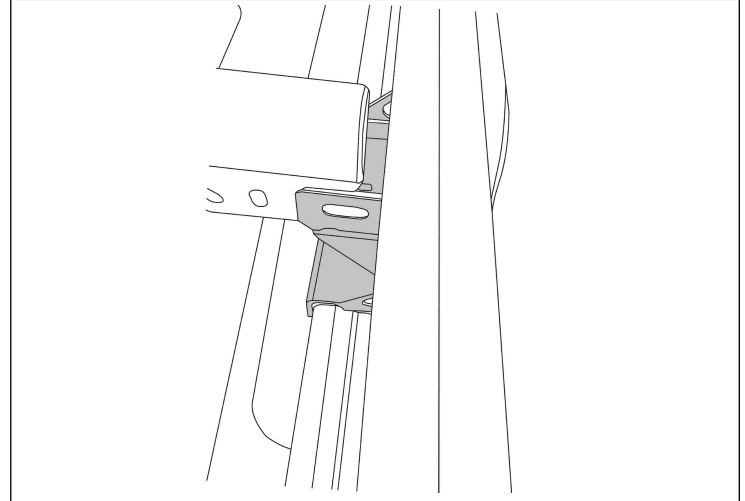
460 HORIZON DR. SUITE 400 | SUWANEE, GA 30024 | PHONE: 770-614-6101 | FAX: 770-614-6069 | info@omix-ada.com

Sport Rack

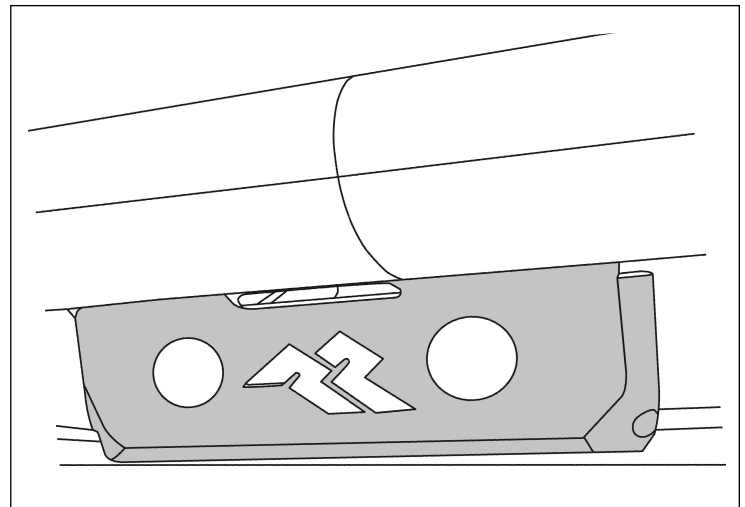
13. **OPTIONAL:** Install the cross rails. Place the front cross rail into the cross rail brackets and loosely secure with the M10 long bolts, M10 flat washers and M10 Nylock nuts. Then repeat step for the rear cross rail.

Tech Tip: If installing cross rails, leave all hardware loose. Install the rails then tighten all hardware to secure the Sport Rack.

Tighten bolt on side track mount brackets. (Both sides)



14. Check the alignment of the side rail to the cross rail bracket. (Side rail bracket should be centered on the cross rail bracket.)



15. Tighten the Nylock nuts on the both side rails. Make sure the carriage bolts are flush.

Install M6 flat washer and M6 Nylock nut on the M6 bolts on the upright and tighten (both sides)

Tighten the bulkhead bolt plate/bolt (both sides)

Finally tighten the M10 bolts on the cross rails.

