

**Rugged
Ridge**



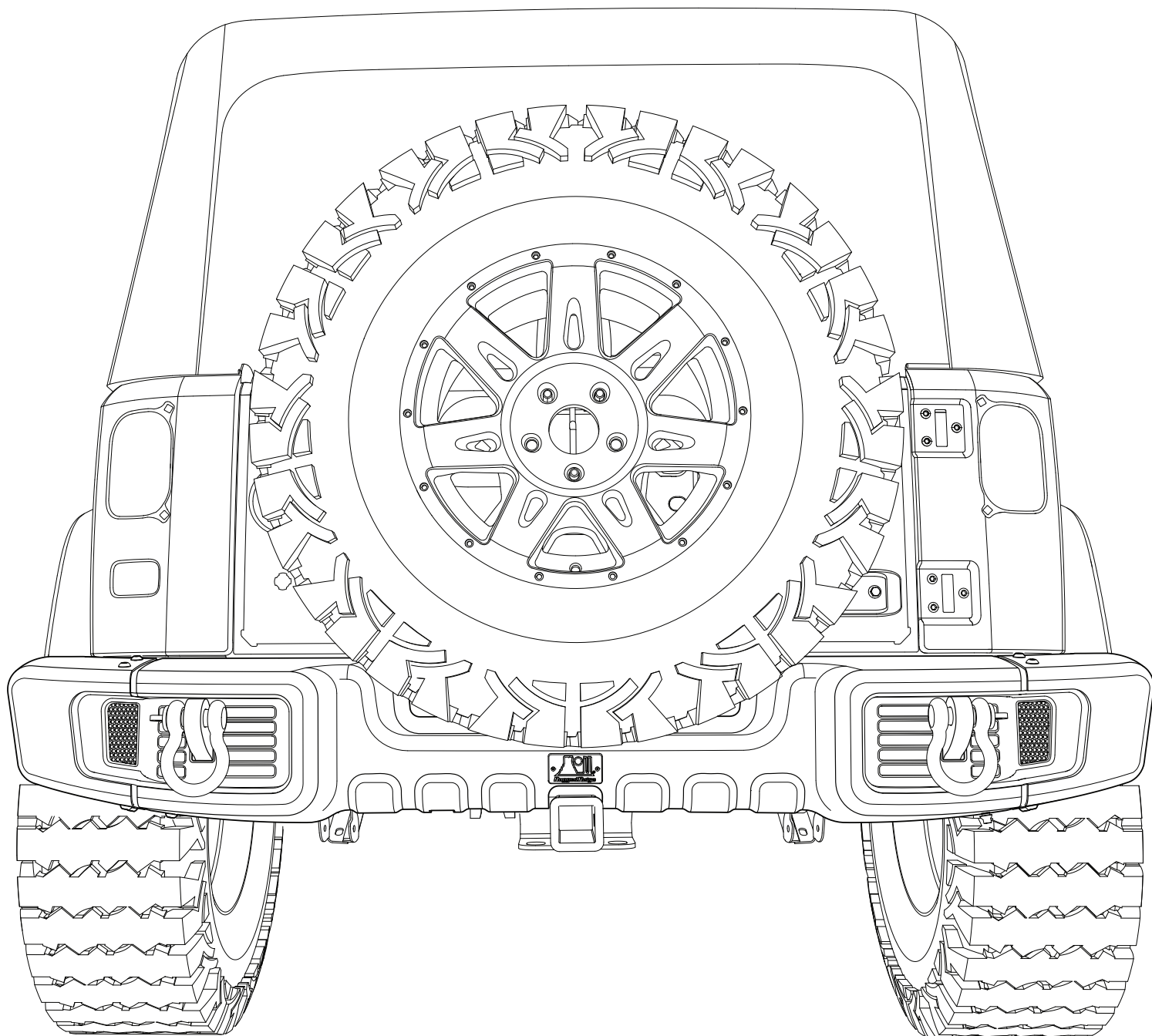
OMIX-ADA, Inc.



460 HORIZON DR. SUITE 400 | SUWANEE, GA 30024 | PHONE: 770-614-6101 | FAX: 770-614-6069 | info@omix-ada.com

Part 11544.51

JK Spartacus Stamped Rear Bumper



WARNING

To avoid serious injury: Never exceed 6.5 ton work load straight line pull on D-Rings. Use only to assist in vehicle self-recovery; never use D-Rings as towing point. Inspect before use. Replace if damaged or distorted.

OMIX-ADA® TECHNICAL SUPPORT

PHONE: M-F 8am - 5pm EST 1-800-449-6649 | EMAIL: techsupport@omix-ada.com

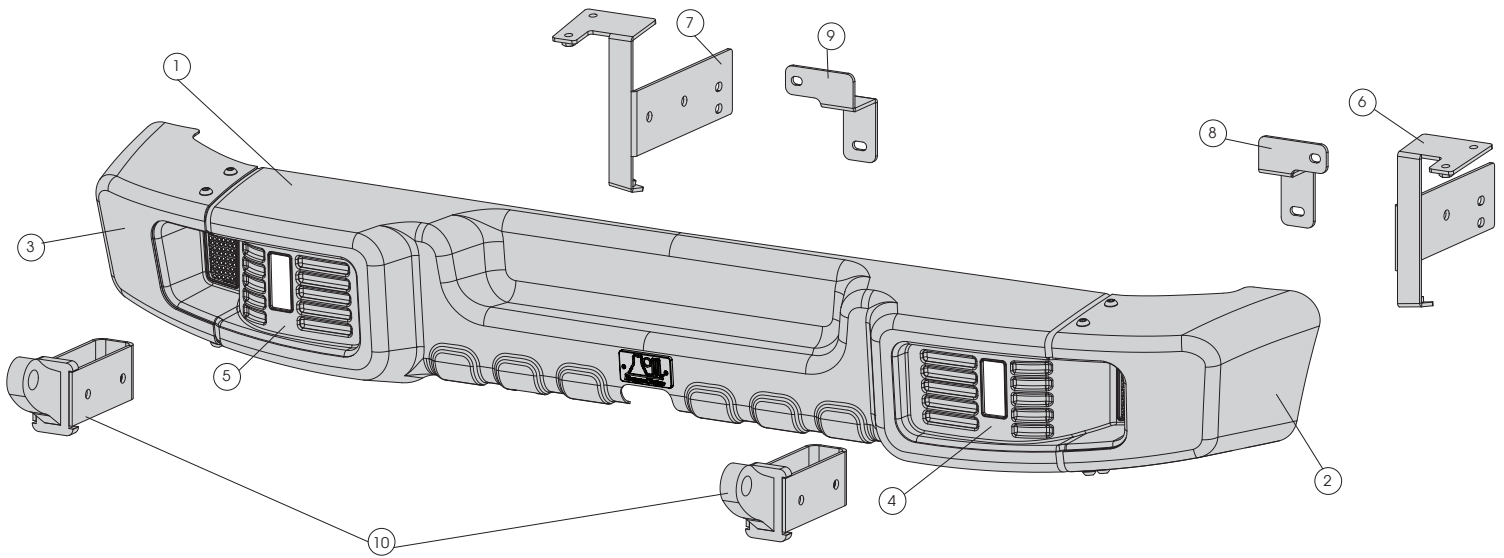
FOR WARRANTY INFORMATION VISIT: www.Omix-Ada.com



OMIX-ADA, Inc.

460 HORIZON DR. SUITE 400 | SUWANEE, GA 30024 | PHONE: 770-614-6101 | FAX: 770-614-6069 | info@omix-ada.com

JK Spartacus Stamped Rear Bumper



Components

- | | |
|-----------------------|-----|
| 1. Bumper Shell | (1) |
| 2. Bumper End, RH | (1) |
| 3. Bumper End, LH | (1) |
| 4. Plastic Cover, RH | (1) |
| 5. Plastic Cover, LH | (1) |
| 6. Side Bracket, RH | (1) |
| 7. Side Bracket, LH | (1) |
| 8. Center Bracket, RH | (1) |
| 9. Center Bracket, LH | (1) |
| 10. D-ring Bracket | (2) |



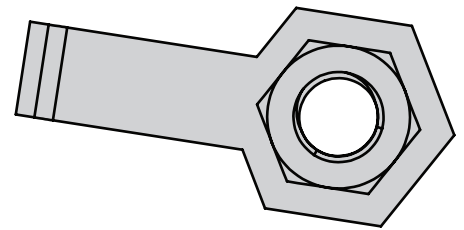
OMIX-ADA, Inc.

460 HORIZON DR. SUITE 400 | SUWANEE, GA 30024 | PHONE: 770-614-6101 | FAX: 770-614-6069 | info@omix-ada.com

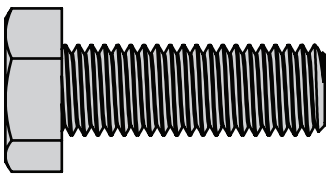
JK Spartacus Stamped Rear Bumper



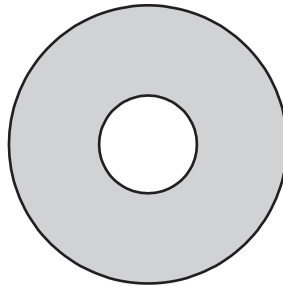
M12 Long Hex Bolt (2)



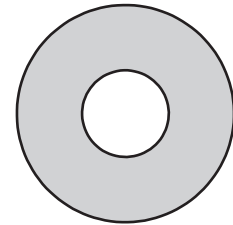
M12 Nutplate (2)



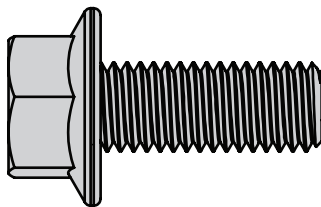
M12 Short Hex Bolt (4)



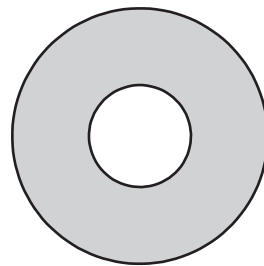
M12 Large Washer (2)



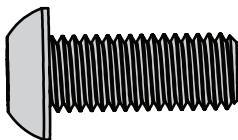
M10 Plastic Flat Washer (10)



M12 Flange Bolt (2)



M12 Flat Washer (4)



M10 Button Head Bolt (10)



M4 Flat Washer (8)



M4 Lock Nut (8)



OMIX-ADA, Inc.

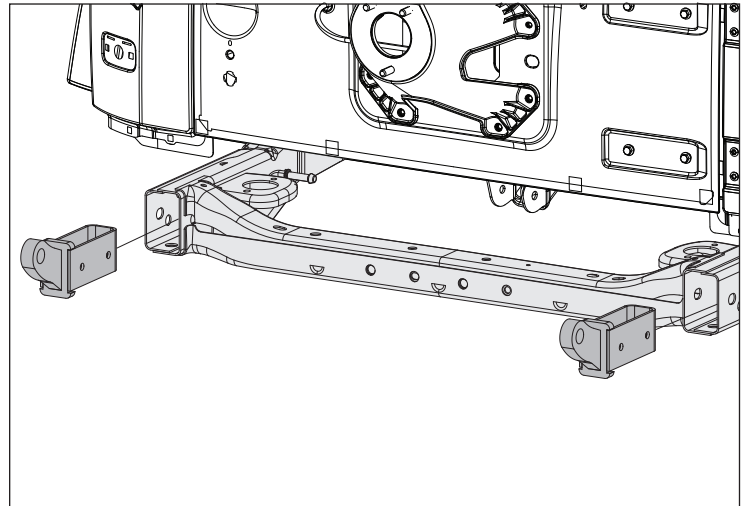


460 HORIZON DR. SUITE 400 | SUWANEE, GA 30024 | PHONE: 770-614-6101 | FAX: 770-614-6069 | info@omix-ada.com

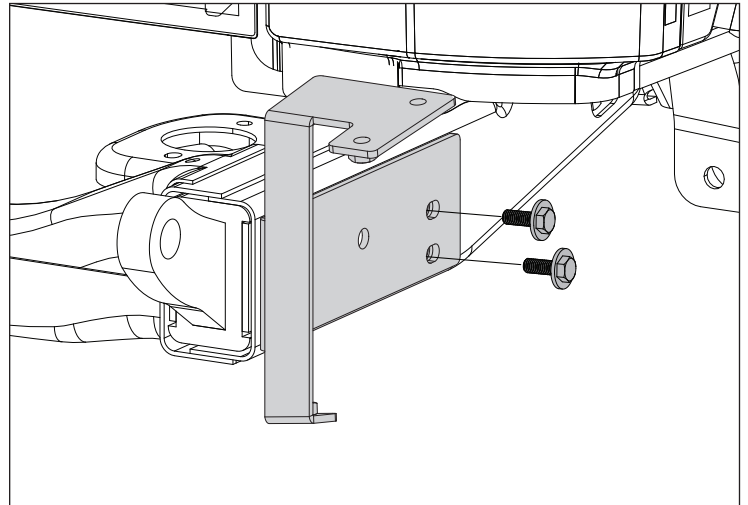
JK Spartacus Stamped Rear Bumper

1. Remove spare tire and Factory bumper from frame. Retain bumper hardware for later use.
2. If using hitch, remove hitch wire plug.
3. Insert D-ring Brackets into frame horns.

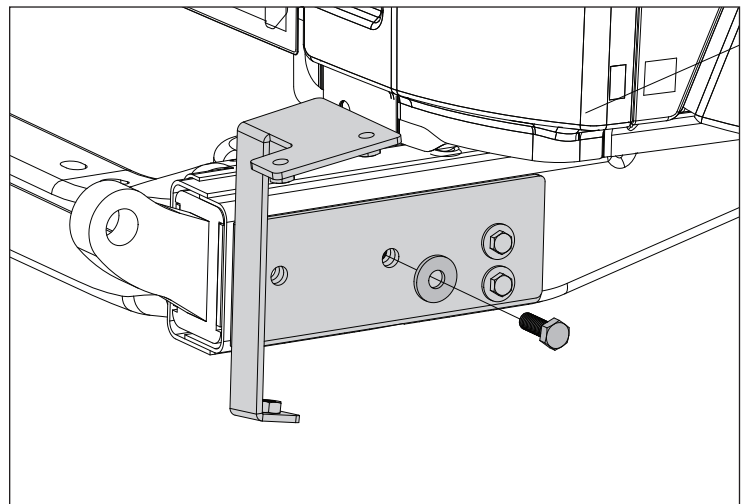
NOTICE Interior of frame horns may need extra clearancing on some vehicles for D-ring brackets to be inserted.



4. Install Side Brackets using Factory M10 bolts in 2 slotted hole locations. Do not fully tighten bolts. Repeat for both sides.



5. Insert M12 Short Hex Bolt and M12 Small Washer to center hole of Side Bracket. Do not fully tighten bolts. Repeat for both sides.



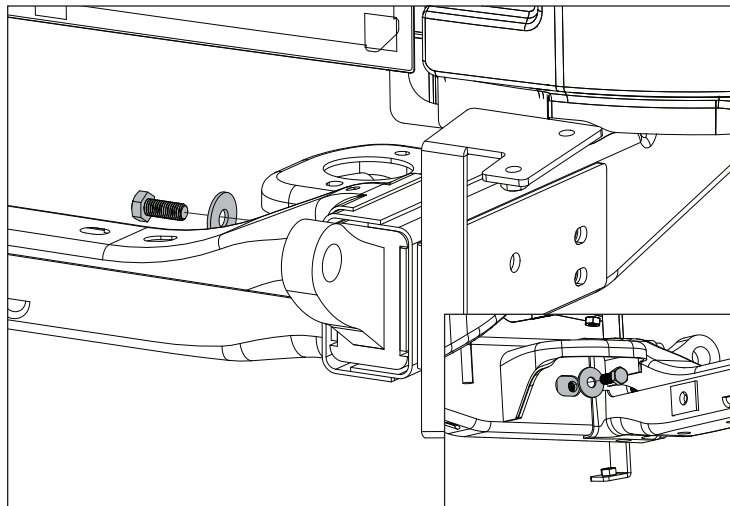


OMIX-ADA, Inc.

460 HORIZON DR. SUITE 400 | SUWANEE, GA 30024 | PHONE: 770-614-6101 | FAX: 770-614-6069 | info@omix-ada.com

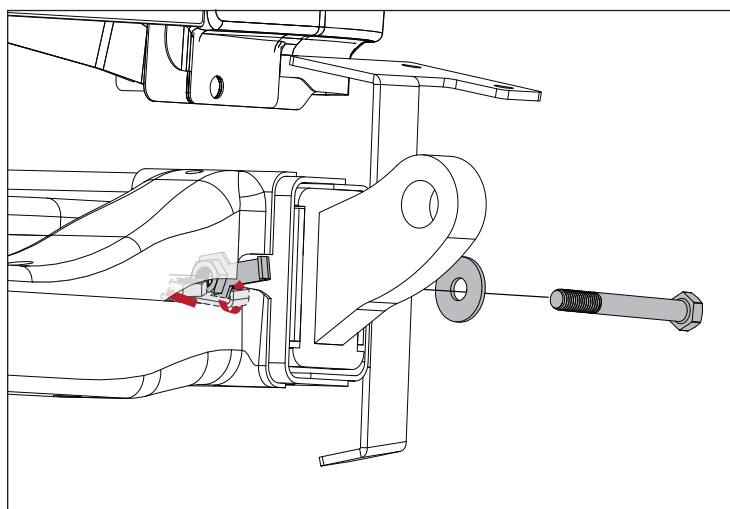
JK Spartacus Stamped Rear Bumper

6. Insert M12 Hex Bolt and M12 Large Washer to rear inside hole of D-ring Bracket. Do not fully tighten bolt. Repeat for both sides.

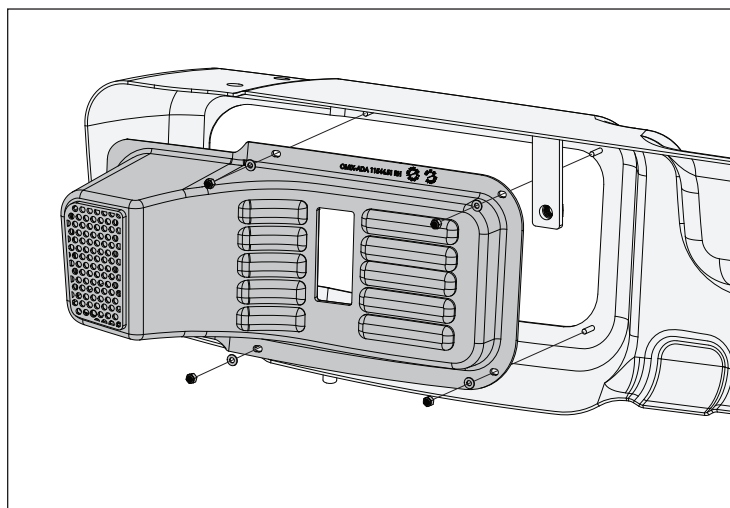


7. Secure M12 Long Hex Bolt in remaining holes of Side Bracket with M12 Nutplate and M12 Small Washer. Repeat for both sides.

NOTICE Opening in crossmember may need clearancing/enlarging on some vehicles



8. Install Plastic Covers using M4 Locknuts and Washers. Repeat for both sides.



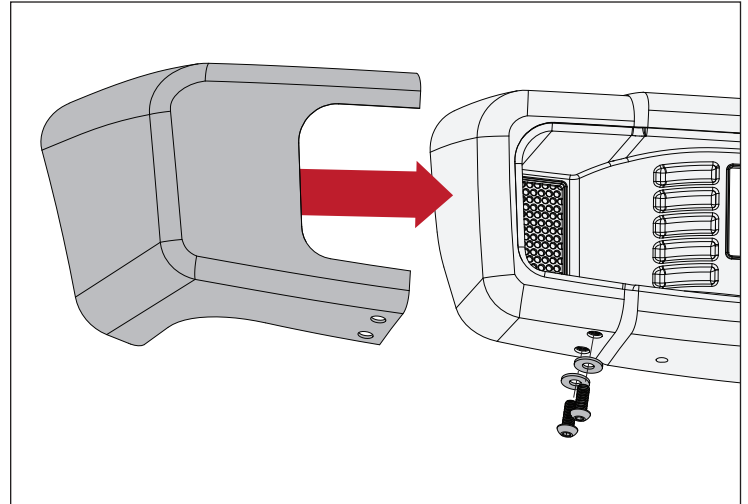


OMIX-ADA, Inc.

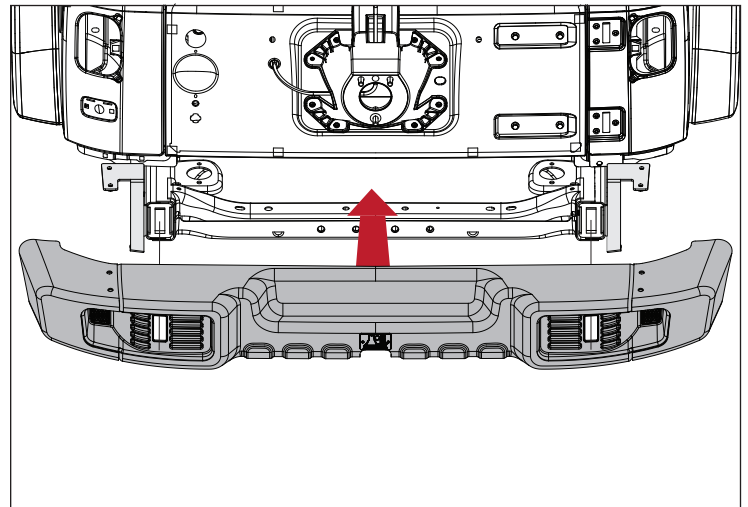
460 HORIZON DR. SUITE 400 | SUWANEE, GA 30024 | PHONE: 770-614-6101 | FAX: 770-614-6069 | info@omix-ada.com

JK Spartacus Stamped Rear Bumper

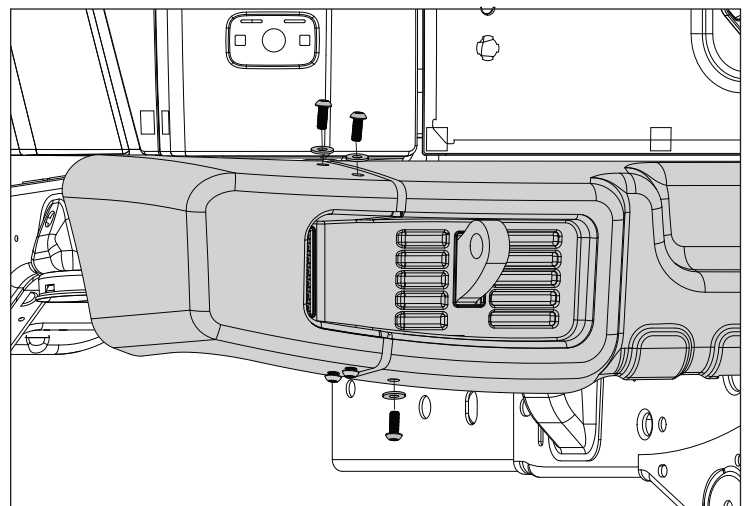
9. If using Bumper Ends, attach using lower M10 Button Head Bolts and M10 Plastic Flat Washer.



10. Place Spartacus Bumper Shell on rear frame of vehicle, aligning holes of Side Brackets with top Bumper End mounting points.



11. Secure top two mounting points on top of bumper/ends and lower hole in bumper to Side Brackets with remaining M10 Button Head Bolts and M10 Plastic Flat Washers. Do not fully tighten.





OMIX-ADA, Inc.

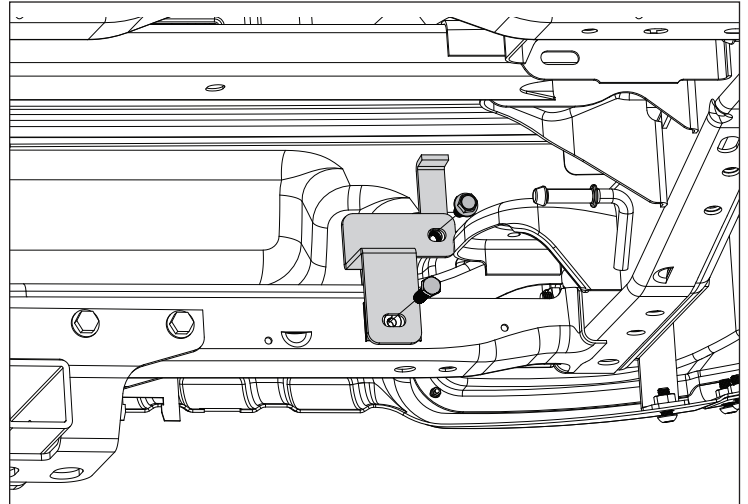
460 HORIZON DR. SUITE 400 | SUWANEE, GA 30024 | PHONE: 770-614-6101 | FAX: 770-614-6069 | info@omix-ada.com

JK Spartacus Stamped Rear Bumper

12. Install Center Bracket to flange inside of bumper shell with provided M12 Flange Bolts in top hole and Factory M10 bolts in bottom.

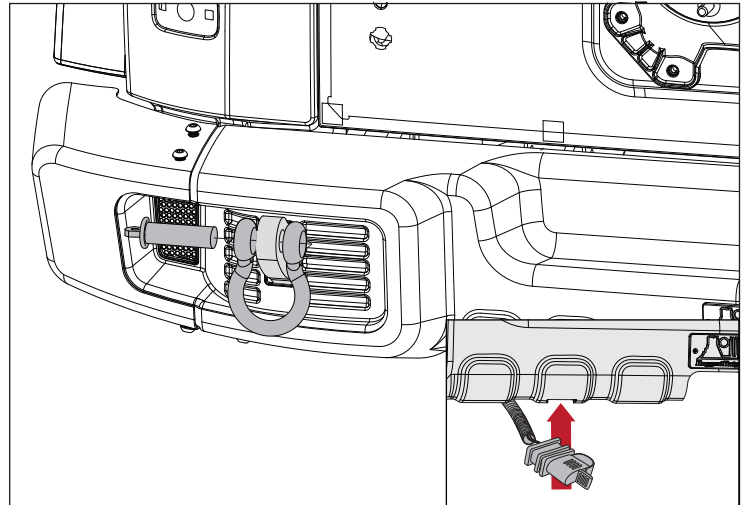
NOTICE For easier install, loosely thread top bolt first

13. Adjust and tighten all bolts.



14. Install shackles (not included) and spare tire.

15. If using hitch, reinstall hitch wire plug. Smaller groove in plug will connect to open space in bumper.



16. If desired, ends may be removed from bumper by removing M10 Button Head Bolts, removing ends, and reinstalling M10 Button Head Bolts.

