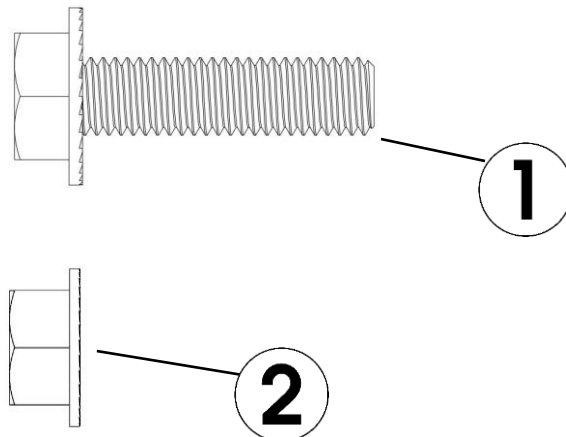


JT ROCKER GUARDS



Hardware

1. M8 Serrated Flange Hex Bolt (14)
2. M8 Serrated Flange Nut (8)



OMIX-ADA® TECHNICAL SUPPORT
PHONE: M-F 8am - 5pm EST 1-800-449-6649
FOR WARRANTY OR TECH CONCERNS, EMAIL: webmaster@omixsupport.com

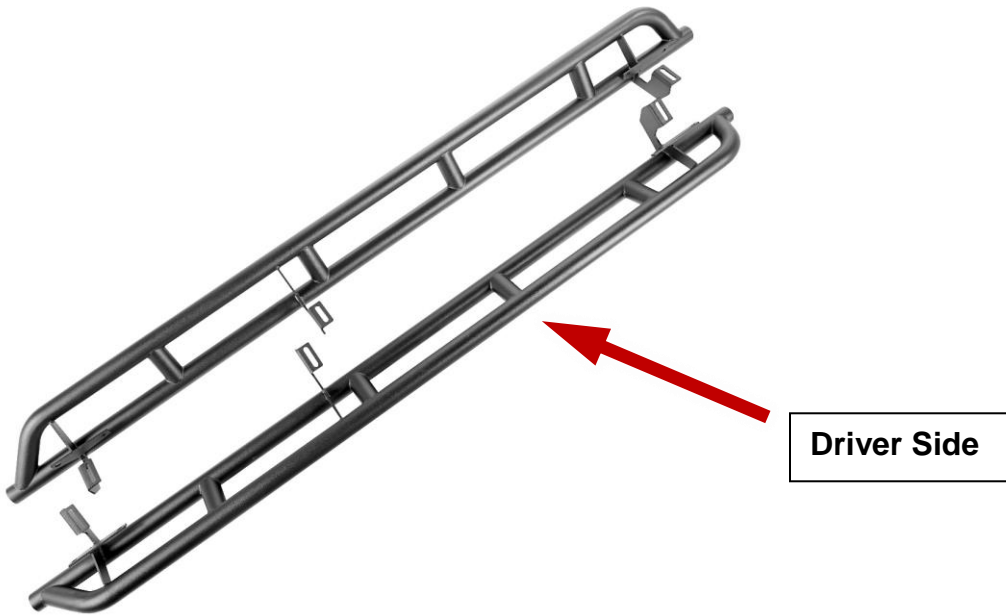
ATTN: STATE OF CALIFORNIA CONSUMERS

⚠ WARNING: Cancer and Reproductive Harm - www.P65Warnings.ca.gov.

JT ROCKER GUARDS

INSTALLATION INSTRUCTIONS

1. Identify the driver and passenger sides.



-
2. Remove the factory or aftermarket running boards, side steps or rock rails.

Assistance is highly recommended.

-
3. Start installation on the driver side. Raise up rocker guard into position and align brackets with the factory mounting points with the horizontal part of bracket.
-

JT ROCKER GUARDS

4. With assistance, attach the horizontal brackets to the body using supplied M8 bolts.

NOTICE

Leave hardware loose for final adjustment.



5. Attach the the Rocker Guard to the front of the pinch weld using the included M8 bolts and nuts.



JT ROCKER GUARDS

6. Adjust the Rocker Guards and tighten all hardware.

-
7. Repeat steps 3-6 for passenger side installation and make sure all hardware is secure and tight.
-