



**///BESTOP**

## Installation Instructions

### Safari Bikini Top

For: 1992-1995 Wrangler  
**Part Number 52529**

*Congratulations on your purchasing decision. Bestop designed this Convertible Top to give you years of dependability and performance with proper care. If you encounter any problems during the installation of your Convertible Top, or at any later date, please contact your authorized Bestop dealer or call our Consumer Response Department, Monday - Friday 7AM - 5PM (MST) at 1-800-845-3567 or (303) 465-1755 in Colorado.*

*Note: If your vehicle has not been fitted with a factory soft top, it will be necessary to purchase a Windshield Retainer Kit Number 51209-01 from your local distributor.*

### WARNING

This product is designed primarily to enhance the appearance of the vehicle and to shield the occupants from ordinary weather conditions. Do not rely in any way on the components of this product to contain occupants within the vehicle, or to protect against injury or death in the event of an accident. This top will not protect the occupants from falling objects. Never operate vehicle in excess of manufacturer's specifications.

**WEAR SEAT BELTS AT ALL TIMES**

Read and follow, precisely, all installation instructions provided when installing top. Failure to do so may result in a poor fitting top and could place occupants of the vehicle in a potentially dangerous situation.

### Installation Tips

*Before you begin installing this bikini assembly, read all instructions thoroughly. Below are a few tips to make this installation easier.*

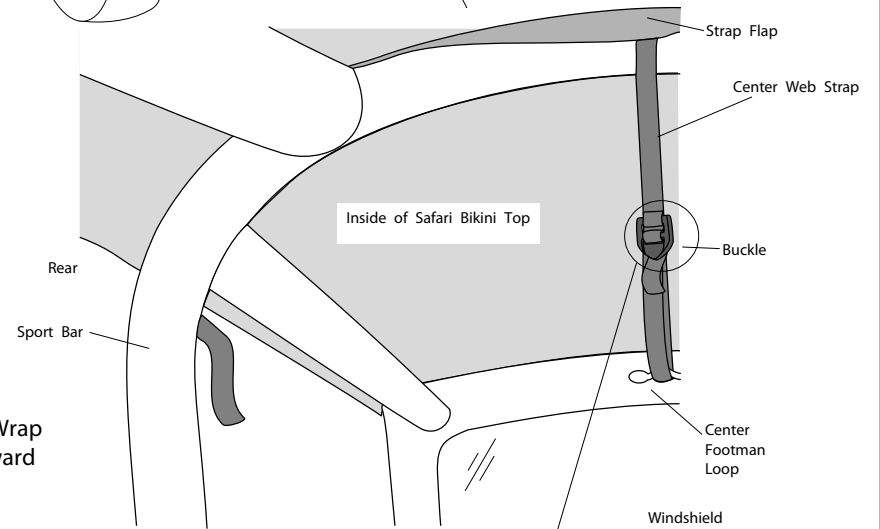
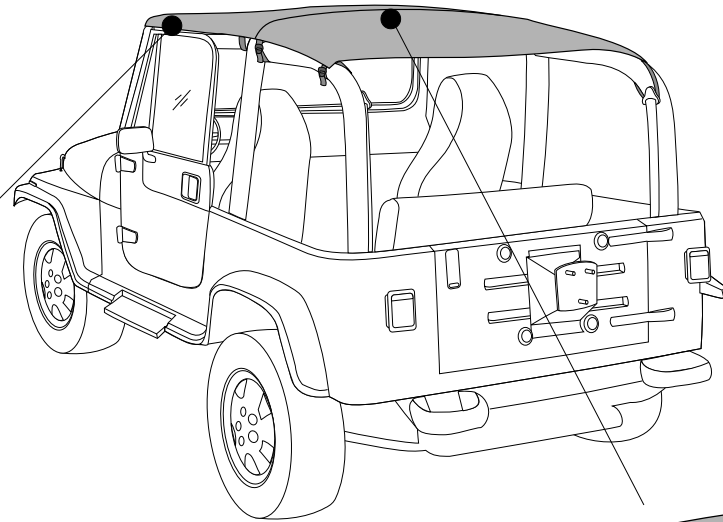
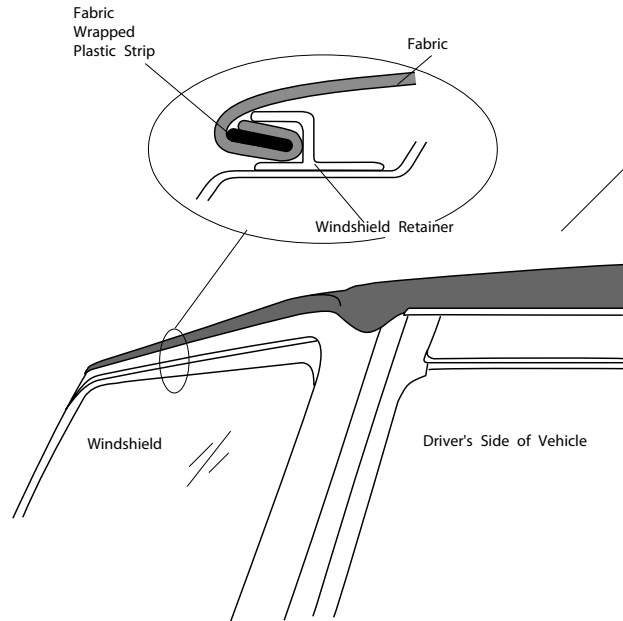
#### For a smooth fit:

For ease in installation, the bikini should be installed at temperatures above 72 ° F. Below this temperature, the bikini may contract an inch or more, making it difficult to fit to the vehicle.

It is normal for a bikini to contract and wrinkle when stored in the shipping carton. Within a few days after the installation, the bikini will relax and the wrinkles will disappear.

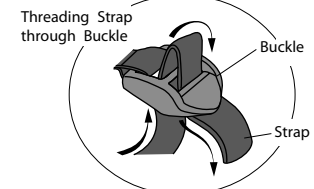
## Step One

Locate the Safari Bikini top and orient it on the vehicle. Drape it over the sport bar and insert front of Safari Bikini into windshield retainer.



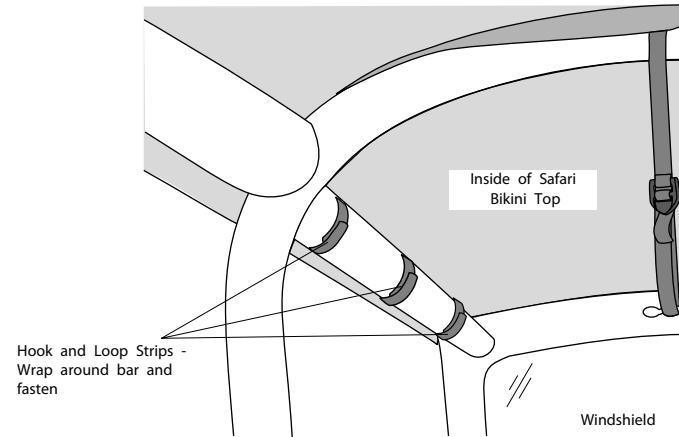
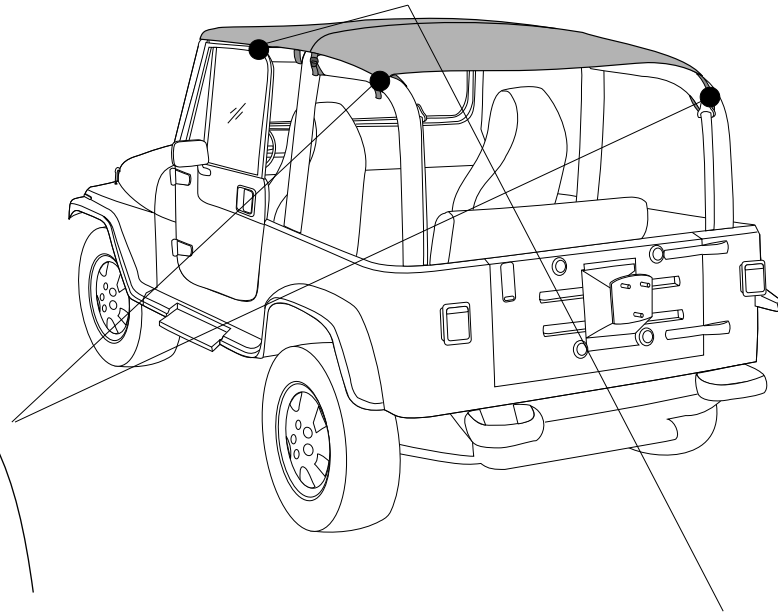
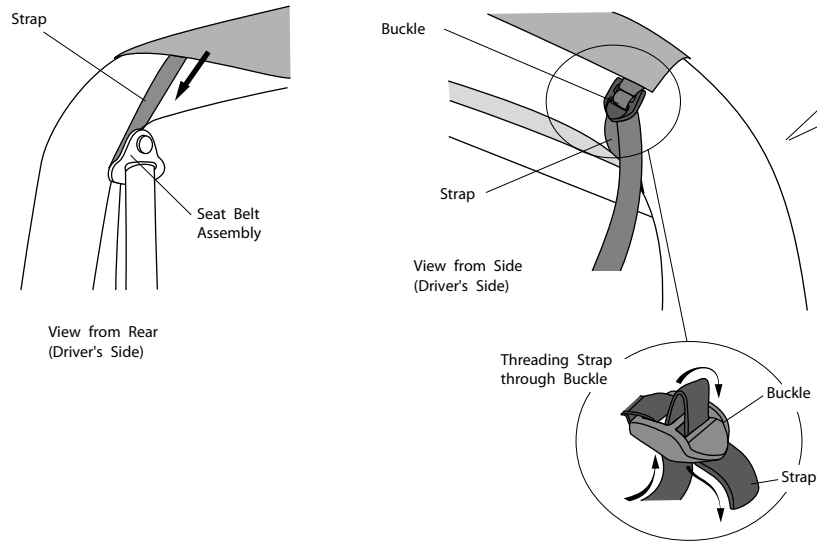
## Step Two

Locate the long web strap sewn to the center flap inside the top. Wrap the strap around the horizontal tube of the sport bar and pull it toward the front of the vehicle. Thread it through the footman loop located above the windshield. Pull the end of the strap back and thread it through the buckle on the strap. Do not pull the strap tight at this time.



### Step Three

Locate the straps sewn to the rear corners of the Safari Bikini. Pull the straps toward the rear and wrap them under the seat belt assembly mounts and around the rear sport bar. Pull them tight up towards buckle and thread the ends of the straps through the buckles. Pull the straps tight.



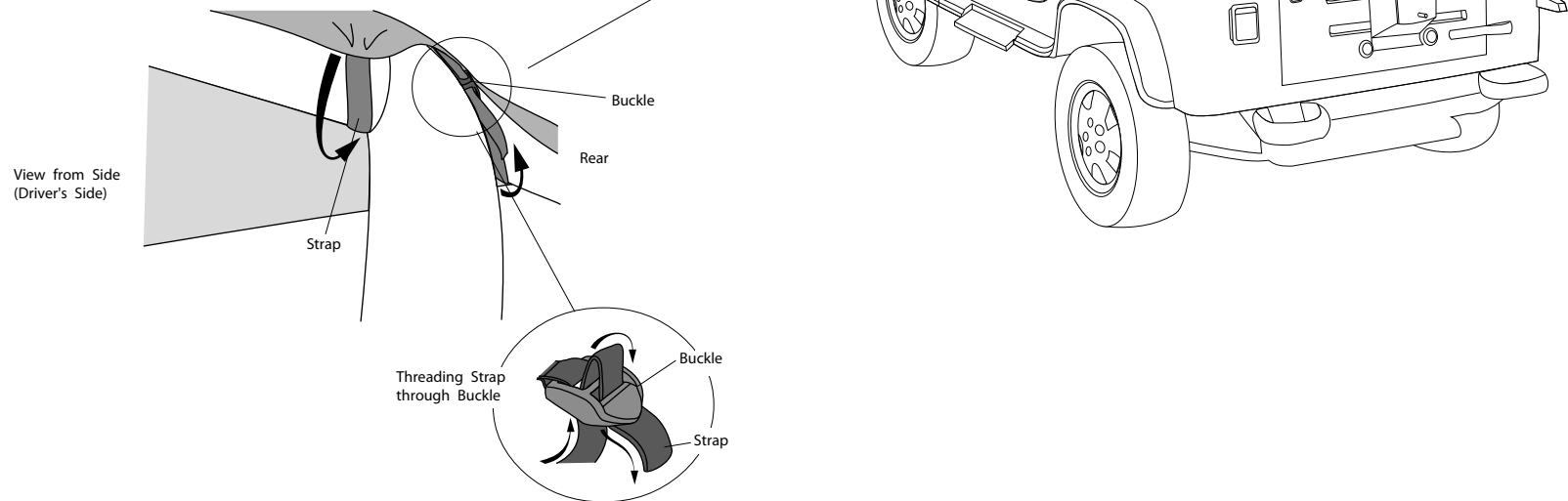
### Step Four

Locate the three pairs of hook and loop strips sewn to each side of the top, above the door opening. Wrap the strips around the sport bar and fasten them to each other. Make sure that all the hook and loop is as tight as possible.

## Step Five

Locate the web straps sewn to the top at the rear of the door opening (near the center seam of the bikini). Wrap the strap around the Horizontal Bar and under the Vertical Sports Bar at the rear of the door and thread it through the buckle. Pull the strap tight.

Make sure that all the straps are as tight as possible.



## ***Care and Maintenance of your Bestop Top***

Your top is made of the finest materials available. To keep it looking new and for the maximum possible wear, it will need periodic cleaning and maintenance.

**Washing:** The top fabric should be washed often using soap, warm water and a soft bristle brush. Rinse with clear water to remove all traces of soap. A vinyl protector can be used on the vinyl side of the fabric.

**Water:** Seeping through at the seams may be stopped by applying 3-M Scotchgard® on the inside of the seams. Rips in the fabric may be repaired with Bondex® iron on patches. Iron the patches to the Inside of the top, carefully following the Bondex® instructions.

**Snaps:** Keep snaps cleaned and lubricated with silicone to help prevent snaps from sticking to the studs. If a snap does become stuck to a stud, use a screwdriver and GENTLY pry apart to prevent permanent damage to the snap or the top fabric.

## LIMITED WARRANTY

We warrant our product to be free from defects in material and workmanship, for the terms specified below, provided there has been normal use and proper maintenance. This warranty applies to the original purchaser only. All remedies under this warranty are limited to the repair or replacement of any item or items found by the factory to be defective within the time period specified.

If you have a warranty claim, first you must call our factory at the number below for instructions. You must retain proof of purchase and submit a copy with any items returned for warranty work. Upon completion of warranty work, if any, we will return the repaired or replaced item or items to you freight prepaid. Damage to our products caused by accidents, fire, vandalism, negligence, misinstallation, misuse, Acts of God, or by defective parts not manufactured by us, is not covered under this warranty.

THE WARRANTY TIME PERIOD IS AS FOLLOWS: ALL "SOFT GOODS" MANUFACTURED BY OUR COMPANY (USING PRIMARILY VINYL, PLASTICS, AND/OR FOAM): ONE YEAR FROM DATE OF PURCHASE.

ANY IMPLIED WARRANTIES OF MERCHANTABILITY AND/OR FITNESS FOR A PARTICULAR PURPOSE CREATED HEREBY ARE LIMITED IN DURATION TO THE SAME DURATION AND SCOPE AS THE EXPRESS WRITTEN WARRANTY. OUR COMPANY SHALL NOT BE LIABLE FOR ANY INCIDENTAL OR CONSEQUENTIAL DAMAGE.

Some states do not allow limitations on how long an implied warranty lasts, or the exclusion or limitation of incidental or consequential damages, so the above limitations or exclusions may not apply to you.

This warranty gives you specific legal rights, and you may also have other rights which vary from state to state.

For further information or request for warranty work, please contact:

Bestop Inc.  
Customer Service  
(800)845-3567  
(303)465-1755

\*Note: All or a portion of this product may be made in China.



52529 5